

100 kWh energy storage box



Overview

In an era of rising energy costs and increased focus on sustainability, investing in a 100kW battery storage system is a smart move for businesses and large residential properties. A 100kW system not only enhances energy efficiency but also provides stability and cost savings. Designed to support residential properties, this 100 kWh home battery offers exceptional performance for large homes and energy-intensive. 100kWh Battery, 280Ah LiFePO4 Battery, Air-cooling Energy Storage Cabinet, EV Charging Solutions GSL-100 (DC50) (215kWh) (EV120) 100kWh Solar Battery Storage Cabinet 280Ah LiFePO4 Battery Air-cooling Photovoltaic Charging Energy Storage Cabinet is an efficient and reliable energy storage and. This ESS (Energy Storage System) is a 100kWh battery system designed and manufactured by PKENERGY. The PKENERGY 100kWh battery is made with. The UESS-CAB 50-100F is an all-in-one outdoor energy storage cabinet designed for factories, data centers, mining sites, cold-chain warehouses, and microgrids.

100 kWh energy storage box



Power Your Future with 100kW Battery Storage: Discover Cost ...

We provide tailored 100kW battery storage systems to meet your unique energy needs. Whether you need a basic setup or a high-performance system, we can help you create the perfect solution.

"centennial" vs. "centurial"

relating to 100 years : marking or beginning a century, with the example "the centurial years 1600 and 1700". But there is a word that is widely used to indicate the range of years or ...

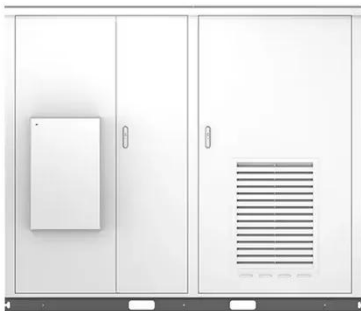


100kWh 512V 205Ah Commercial Solar Battery Storage

Boasting battery capacities of 100 kWh and 200 kWh, our system is purpose-built to supply unwavering, enduring power to both industrial and commercial ventures.

Is it proper to state percentages greater than 100%? [closed]

People often say that percentages greater than 100 make no sense because you can't have more than all of something. This is simply silly and mathematically ignorant. A percentage is just a ratio ...



100kW 215kWh All-in-One Battery Storage Cabinet

The iCON 100kW 215kWh Battery Storage System is a fully integrated, on or off grid battery solution that has liquid cooled battery storage (215kWh), inverter (100kW), temperature control and fire safety ...

Solar LiFePO4 100kwh Battery

This ESS (Energy Storage System) is a 100kWh battery system designed and manufactured by PKENERGY. It incorporates essential modules such as PCS (Power Conversion ...



100kWh Solar 280Ah LiFePO4 Battery, Air-cooling Energy Storage ...

...

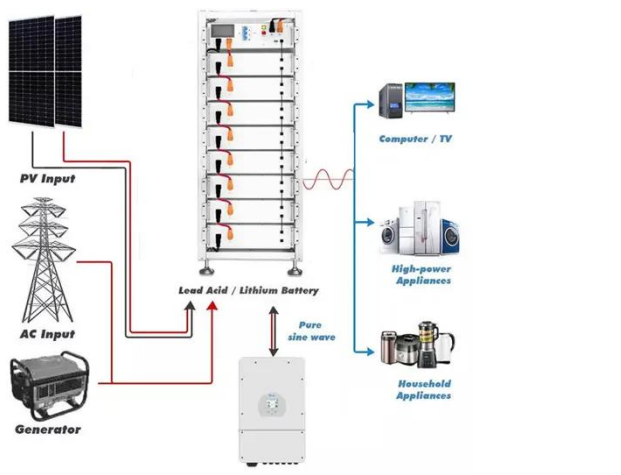
As the leading vertically integrated



manufacturer of lithium iron phosphate battery systems, GSL ENERGY has provided various battery solutions for nearly all kinds of ESS applications.

What was the first use of the saying, "You miss 100% of the shots you

you
 You miss 100 percent of the shots you don't take. 1991 Burton W. Kanter, "AARP--Asset Accumulation, Retention and Protection," Taxes 69: 717: "Wayne Gretzky, relating the comment of one of his early ...

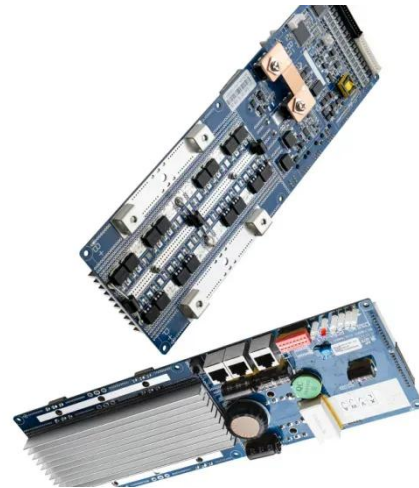


Sunway Intelligent liquid-cooled 100kW 232kWh Outdoor Cabinet Energy

Delivers 100 kW rated AC power and 232 kWh battery capacity for industrial and commercial energy needs. Designed with IP55 protection, transformer isolation, and real-time monitoring for enhanced ...

KOMODO 100kWh Battery Storage System with 22kVA Inverter , Off ...

The KOMODO by BatteryEVO is a premium, high-capacity energy storage system designed for full-home backup, off-grid living, and solar integration. Engineered for both residential and commercial ...



TAX FREE

1-3MWh

BESS



All-in-One Energy Storage System 100kWh LiFePO4 50kW Rated Power

Housed in a weather-resistant IP55 cabinet, it combines a 100kWh LiFePO4 battery pack with 50kW charge/discharge capability, supporting real-time monitoring and remote control via Ethernet, RS485, ...

Is It Ok To Write "100%" In A Formal Text?

The statistical-sounding expression is no problem, but if you want to be formal in register, as your headline indicates, you should probably spell it out as "one hundred percent"--and also spell ...



phrase usage

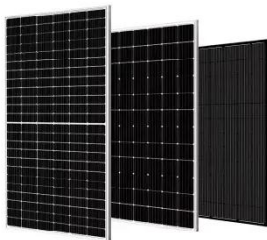
'100% correct' is grammatically correct in this context, though the organization of the sentence is a bit atypical for many more formal dialects of English and may

be difficult for some ...



100kW x 215kWh Energy Storage Cabinet

The Symtech Solar Battery Energy Storage Cabinet (MEG 100kW x 215kWh) is a fully integrated, PV-ready hybrid energy storage solution designed for both on-grid and off-grid applications.



Numbers with more than 100 zeros

Numbers with more than 100 zeros Ask
Question Asked 5 years, 2 months ago
Modified 5 years, 2 months ago

"a 100" vs "100"

The flow rate increases 100-fold (one hundred-fold) Would be a more idiomatic way of saying this, however, the questioner asks specifically about the original phrasing. The above Ngram ...



The meaning of 0% and 100% as opposed to other percentages?

If soap A kills 100% and soap B kills 99.99% of bacteria, the remaining amount of bacteria after applying A (0%) is infinitely smaller than the remaining amount of bacteria after ...

High Voltage 100kWh Solar Battery Storage System for Home , ACE ...

Our high voltage solar battery storage system supports 2 to 5 battery modules in a single cluster, with parallel expansion capabilities up to 113.6 kWh. At only 170mm depth, this system is one of the most ...



"(a/one) hundred percent" -- Is "a/one" always optional here?

To my ear, 'one hundred percent' sounds more emphatic than 'a hundred percent',



simply because the former feels more deliberately phrased--conveying precisely 100% as opposed ...

How do you say 100,000,000,000,000,000,000 in words?

37 Wikipedia lists large scale numbers here. As only the 10 x with x being a multiple of 3 get their own names, you read 100,000,000,000,000,000,000 as $100 * 10^{18}$, so this is 100 quintillion ...



Contact Us

For catalog requests, pricing, or partnerships, please visit:
<https://kreatywny-dom.pl>

