

# 100kWh Mobile Energy Storage Container for Urban Lighting



**PV / DG  
Application**



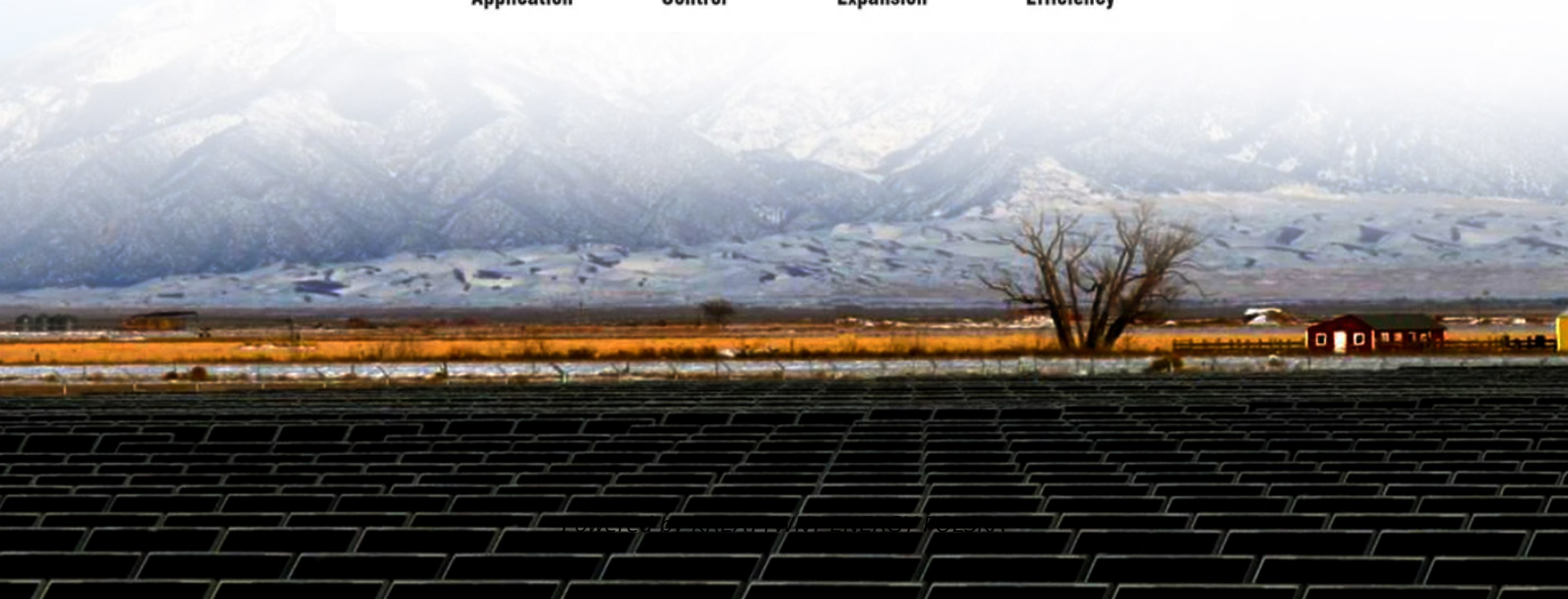
**APP Intelligent  
Control**



**Multi-Unit Parallel  
Expansion**



**98.8% Max.  
Efficiency**



## 100kWh Mobile Energy Storage Container for Urban Lighting

---



### Cooli Smart 100KW/215KWH Energy Storage Air-cooled Cabinet

Unlock energy independence and maximize ROI with the Cooli Smart 100kW/215kWh Air-Cooled Energy Storage Cabinet. Engineered for commercial and industrial resilience, this high-density ...

---

### VERYPOWER 100KW/215kWh Energy Block Battery ...

VERYPOWER Intelligent Energy Block, with a capacity of ...



### 100 KWh-500KWh Solar Battery Storage Cabinet, 100kWh Battery ...

ECE Energy's All-In-One solar battery storage cabinet: Professional solar ESS with 100kWh battery storage to 500kWh capacity. Versatile commercial solar storage solutions in one energy storage ...

## Customizable 100kwh Portable Outdoor Integrated Cabinet Energy

...

With multiple professional qualifications (e.g., Grade-I urban road lighting contracting, Grade-I lighting design), it has passed ISO 9001/14001/45001, GB/T27922 (5-star after-sales), information security, ...



## VERYPOWER 100KW/215kWh Energy Block Battery Storage Energy Storage

VERYPOWER Intelligent Energy Block, with a capacity of 100kWh to 215kWh, Built-in integrated EMS system and PCS, making it suitable for various scenarios such as small and medium-sized ...

## Sunway Intelligent liquid-cooled 100kW 232kWh Outdoor Cabinet Energy

Delivers 100 kW rated AC power and 232 kWh battery capacity for industrial and commercial energy needs. Designed with IP55 protection, transformer isolation, and real-time monitoring for enhanced ...



## Mobile Energy Storage System , Pulsar Industries

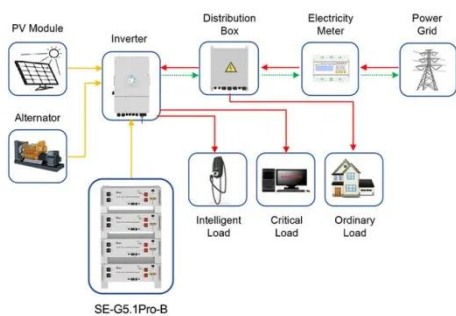
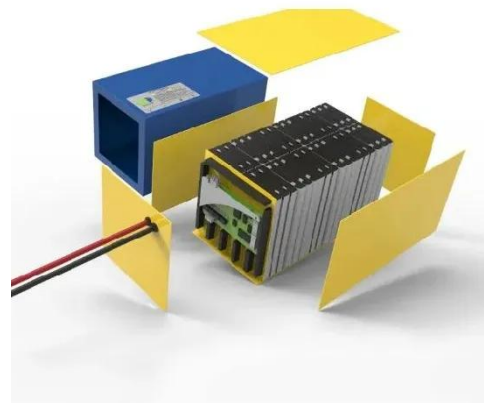
Flexible mobile energy storage systems

for remote sites and EV charging. Get sustainable, silent, and portable power solutions with Pulsar Industries.



### WELTRUS Mobile PV-BESS Fully Automated Station - Off-Grid Solar

With its modular 100kWh hybrid BESS units and integrated inverter system, the MobilePV-BESS ensures 24/7 power availability through solar generation, battery storage, and optional diesel ...



Application scenarios of energy storage battery products

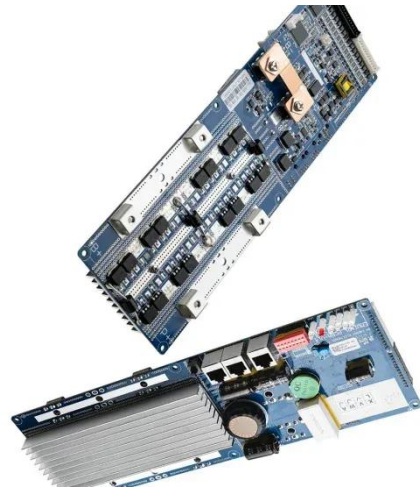
### 100kWh Photovoltaic Foldable Container for Urban Lighting

High-efficiency Mobile Solar PV Container with foldable solar panels, advanced lithium battery storage (100-500kWh) and smart energy management. Ideal for remote areas, emergency rescue and ...

### 100KWH Mobile Battery Energy Storage System

The MBS100 is a 100kWh capacity Battery Energy Storage System designed for industrial and commercial emergency power and mobile electricity demands.

Through integrated 50kW PCS ...



### **100KWh Outdoor Cabinet Series Energy Storage System**

The HighJoule 100KWh Outdoor Cabinet Series offers a robust solution for commercial applications, featuring a 100KWh LFP or SSB battery with over 8000 cycles, ensuring long-term reliability and ...

## **Contact Us**

For catalog requests, pricing, or partnerships, please visit:  
<https://kreatywny-dom.pl>

