

10mwh investment in outdoor telecom cabinets



10mwh investment in outdoor telecom cabinets

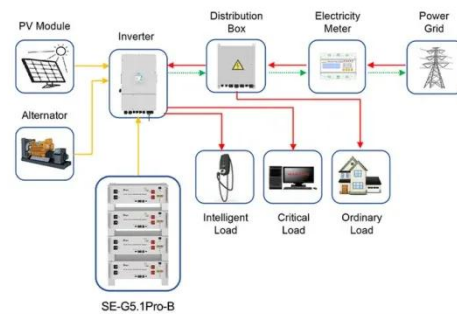


Outdoor Telecom Cabinet Market Expansion: Growth Outlook ...

The size of the Outdoor Telecom Cabinet market was valued at USD XXX million in 2023 and is projected to reach USD XXX million by 2032, with an expected CAGR of XX% during the ...

Comprehensive Outdoor Telecom Cabinet Market Size, Share

The market for outdoor telecom cabinets has grown a lot in the last few years. This is because telecommunication networks are growing quickly, there is a growing need for fast data transmission, ...



Application scenarios of energy storage battery products



Outdoor Telecom Cabinet Market Size, Growth & Forecast ...

The outdoor telecom cabinet market represents a critical and rapidly expanding segment within the broader telecommunications infrastructure industry, driven by massive global expansion of 5G ...

Outdoor Telecom Cabinet Market

Report , Global Forecast From ...

The global outdoor telecom cabinet market size is projected to grow from USD 2.5 billion in 2023 to USD 5.3 billion by 2032, exhibiting a compound annual growth rate (CAGR) of 8.5% over the forecast period.



Outdoor Telecom Cabinet Market

According to research analyzing infrastructure investments, cities looking to implement smart systems require secure locations for housing telecommunications equipment - further ...



Comprehensive Outdoor Telecom Cabinet Market ...

The market for outdoor telecom cabinets has grown a lot in the last few years. ...



BESS (Battery Energy Storage Systems)

Boost energy storage with Industrial/Commercial & Home BESS, powered by lithium batteries. Ensure grid stability, savings, & backups. Plus,

power base stations with Huijue Energy Storage, for ...



Energy Efficiency and Sustainability in Outdoor Telecom Cabinets

Explore how energy-efficient outdoor telecom cabinets reduce power consumption, enhance sustainability, and lower operational costs for modern telecom networks.



The development of outdoor telecom cabinets in China

Explore how outdoor telecom cabinets drive China's telecom growth, supporting 5G, urbanization, and rural connectivity with robust, scalable designs.

Outdoor Telecom Cabinet Market Size, Industry Forecast

Evaluate comprehensive data on Outdoor Telecom Cabinet Market, projected to grow from USD 5.1 billion in 2024 to USD 8.6 billion by 2033,

exhibiting a CAGR of 6.1%. This report provides strategic ...



51.2V 300AH

Energy Storage Equipment, Energy storage solutions, Lithium ...

Huijue Group offers industrial and commercial energy storage, PV-BESS -EV Charging, Off-grid / On-grid Microgrid, telecom site solutions, and home solar energy storage, ensuring ...

Contact Us

For catalog requests, pricing, or partnerships, please visit:
<https://kreatywny-dom.pl>

