

KREATYWNY ENERGY POLSKA

350kW Photovoltaic Outdoor Cabinet for Urban Lighting

LIQUID COOLING ENERGY STORAGE SYSTEM

EMS real-time monitoring

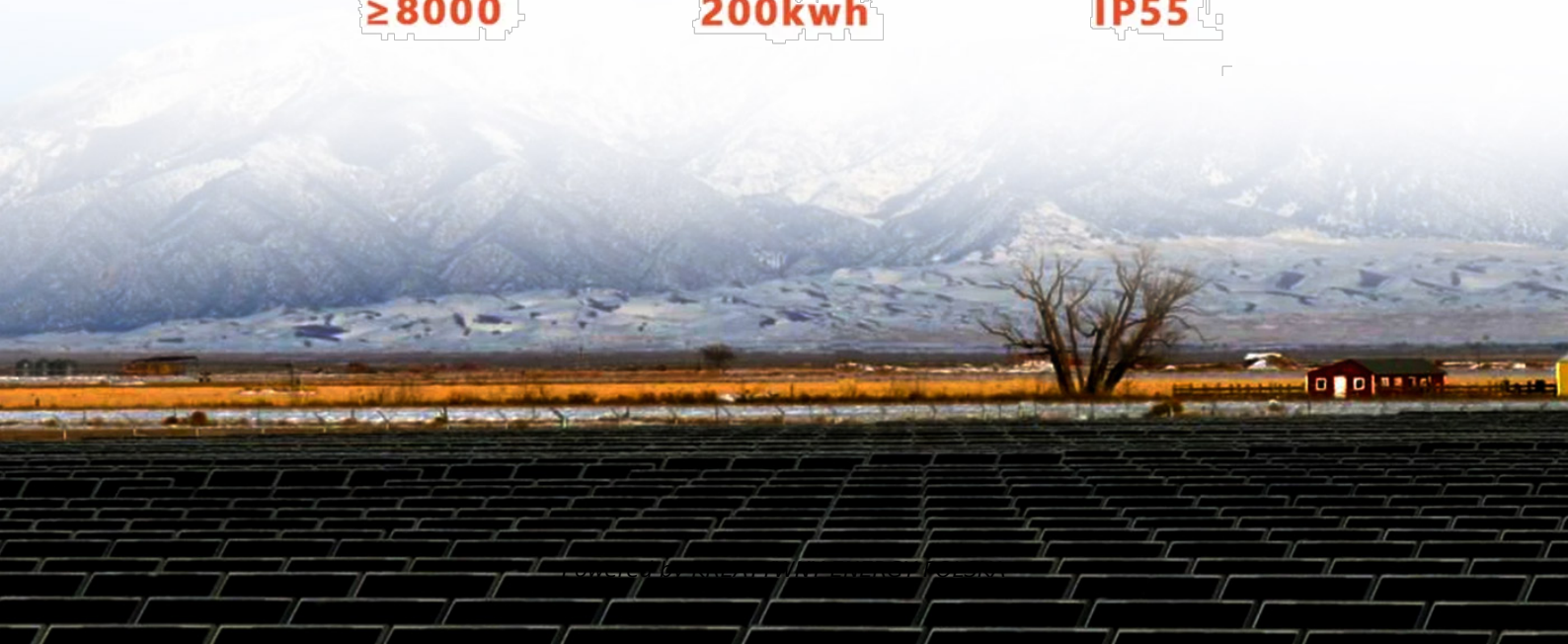
No container design
flexible site layout



Cycle Life
≥8000

Nominal Energy
200kwh

IP Grade
IP55



350kW Photovoltaic Outdoor Cabinet for Urban Lighting



Outdoor Photovoltaic Energy Cabinet, Base Station Energy ...

An Outdoor Photovoltaic Energy Cabinet is a fully integrated, weatherproof power solution combining solar generation, lithium battery storage, inverter, and EMS in a single cabinet. It delivers clean, ...

350kWh C& I Energy Storage Cabinet

The 350kWh All-in-one C& I Energy Storage Cabinet features a highly integrated design with built-in BMS, EMS, and PCS. Supporting off-grid and grid use, it cuts energy costs, boosts efficiency, and ...

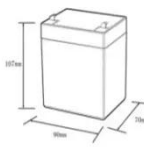



Outdoor Photovoltaic Telecom Energy Cabinet

Each outdoor photovoltaic telecom energy cabinet is built for harsh outdoor telecom and edge usage, characterized by durability, flexibility, and intelligent control to provide unshakeable power supply.

Outdoor Cabinet Energy Storage System (ESS) for PV Storage

The ELECOD Outdoor Cabinet ESS for PV Storage & Charging offers an integrated and scalable energy storage solution designed for photovoltaic energy generation and charging applications. This system ...

12.8V6Ah

- Nominal voltage (V):12.8
- Nominal capacity (Ah):6
- Rated energy (WH):76.8
- Maximum charging voltage (V):14.6
- Maximum charging current (A):6
- Floating charge voltage (V):13.6-13.8
- Maximum continuous discharge current (A):10
- Maximum peak discharge current @10 seconds (A):20
- Maximum load power (W):100
- Discharge cut-off voltage (V):10.8
- Charging temperature (°C):0-+50
- Discharge temperature (°C):-20-+60
- Working humidity: <95% R.H (non condensing)
- Number of cycles (25 °C, 0.5C, 100%DoD): >2000
- Cell combination mode: 32700-4s1p
- Terminal specification: T2 (6.3mm)
- Protection grade: IP65
- Overall dimension (mm):90*70*107mm
- Reference weight (kg):0.7
- Certification: un38.3/msds



Outdoor Photovoltaic Energy Cabinet

The Outdoor Photovoltaic Energy Cabinet is an all-in-one energy storage system with high strength, which can work under harsh environmental conditions to supply high-performance energy backup ...

Outdoor Energy Cabinet Photovoltaic

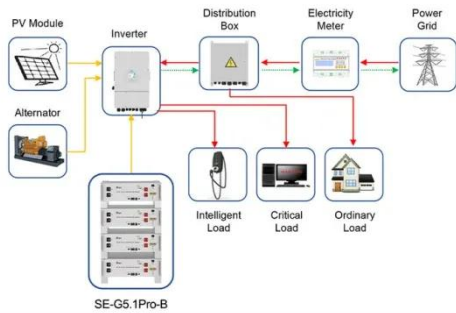
The outdoor photovoltaic energy cabinet can provide reliable monitoring systems, photovoltaic, and battery systems. It is a unified power supply platform system that supports various ...



Outdoor Integrated Energy Storage Cabinet

Outdoor Integrated Energy Storage Cabinet Discover TANFON's Outdoor Integrated Energy Storage System

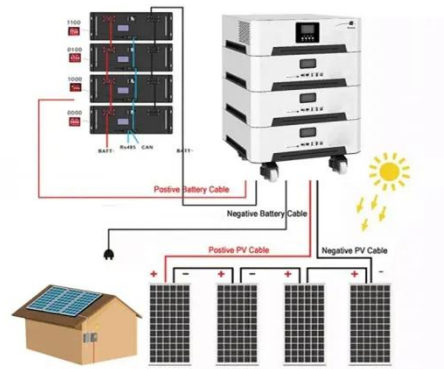
cutting-edge solution that seamlessly combines lithiumiron phosphate ...



Application scenarios of energy storage battery products

350kW outdoor energy storage cabinet for power grid ...

Outdoor Photovoltaic Energy Cabinet, Base Station Energy ... Highjoule's Outdoor Photovoltaic Energy Cabinet and Base Station Energy Storage systems deliver reliable, weather-resistant solar power for ...



EK Photovoltaic Micro Station Energy Cabinet

EK photovoltaic micro-station energy cabinet is a highly integrated outdoor energy storage device. Its core function is to convert renewable energy such as solar energy and wind energy into stable ...

Cost Analysis of a 350kW Photovoltaic Foldable ...

The results of the economic viability analysis and cost-benefit analysis

demonstrate the favorable financial outlook and societal benefits of PV systems in urban environments.



Contact Us

For catalog requests, pricing, or partnerships, please visit:
<https://kreatywny-dom.pl>

