

KREATYWNY ENERGY POLSKA

48v 400ah lithium battery pack



48v 400ah lithium battery pack



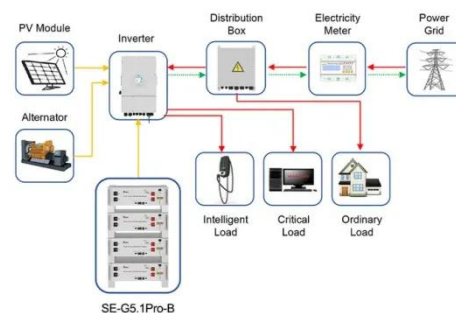
48V 400AH Lithium Ion Battery

The LBC-48V 400Ah is a high-performance lithium battery pack designed for applications requiring reliable and efficient energy storage. With a nominal voltage of 48V and a capacity of 400Ah, this ...

LiFePo4 lithium 48v 400ah 20kw solar system 20kwh battery storage

...

It is built using 48V 400Ah Lifepo4 batteries with an internal BMS. This system consists of 16S prismatic cells for a 48V system. The design is intended for solar off-grid systems, and it uses 16 prismatic ...



Application scenarios of energy storage battery products



48V Lithium Battery Pack 400AH/LiFePO4

The fully automatic Built-In Battery Management System provides cell balancing, overcharge or over-discharge protection, short-circuit, and reverse polarity protection, making the 48V 400AH battery ...

Shop 48V Lithium Ion Battery for Golf Carts & Solar By LiTime

So while our battery may be called "48V," rest assured it's engineered for more powerful and efficient output, making it the ideal replacement for conventional lead-acid systems in any 48V-compatible ...



Gotion 20kWh 48V 400Ah LFP Battery Pack - BatteryGurus

These are new Gotion 48V 400Ah LFP battery packs built for utility-scale applications (containerized BESS). They are brand new and come in the original packaging.

VEVOR 48V 400Ah LiFePO4 Lithium Battery, 4 Pack 100Ah, ...

Equipped with a circuit breaker that automatically cuts off power during overloads, our server rack Lifepo4 lithium battery safeguards both your devices and your security.



48V 400Ah LiFePO4 lithium battery- Custom Lithium ion Battery Pack

48V 400Ah LiFePO4 lithium battery is a high-capacity, deep-cycle lithium iron phosphate battery typically used for energy storage systems, electric

vehicles, solar power systems, and ...



48V Lithium Battery Pack 400AH/LiFePO4

The fully automatic Built-In Battery Management System provides ...



48V 400AH Lithium Ion Battery

This 48V 400AH Lithium Ion Battery is the perfect replacement from any AGM, GEL or Lead Acid Battery. Designed as a "drop in replacement" meaning all you have to do is take out your old battery ...



battery lithium ion 48v 400ah

High-Capacity 48V 400Ah Battery System LiFePO4 battery for reliable solar energy storage and industrial backup power. Features deep cycle design, 6000+ cycles lifespan, and built-in BMS.



Amazon : Lithium Batteries 48v 400ah

48V 400Ah LiFePO4 Lithium Battery (4 Pack 48V 100AH) with 100A BMS, 20.48kWh Capacity, Server Rack Battery with Bluetooth, 6000 Deep Cycles, Ideal for Off-Grid, Solar

Contact Us

For catalog requests, pricing, or partnerships, please visit:
<https://kreatywny-dom.pl>

