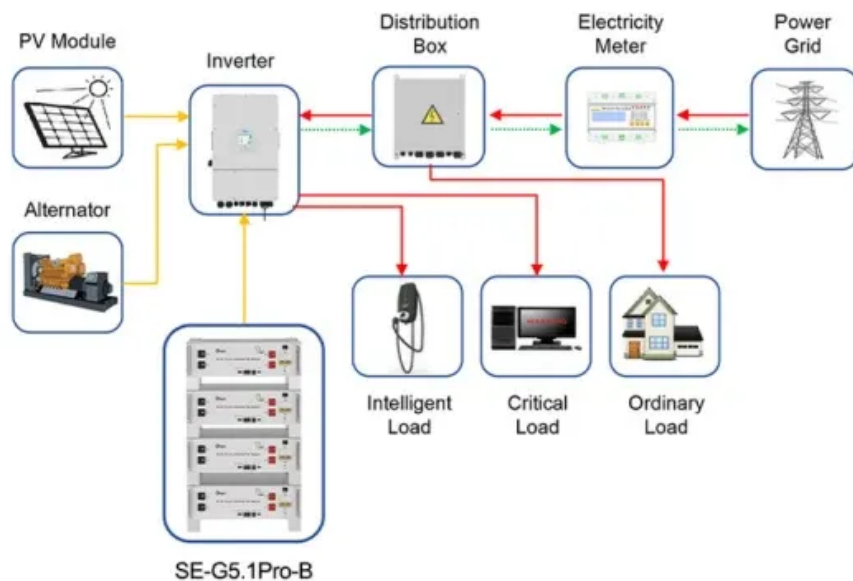


5MW Photovoltaic Energy Storage Container for Castelli Wastewater Treatment Plant



Application scenarios of energy storage battery products

5MW Photovoltaic Energy Storage Container for Castelli Wastewater



Soundon New Energy 5MWh Container Energy Storage System

The 5MWh container energy storage system is a super cool solution that seamlessly combines different parts, like a Lithium iron phosphate battery, Battery Management System, Gaseous Fire Suppression ...

5MWh Energy Storage System Manufacturer & Supplier , Wenergy

The 5MWh ESS is a turnkey energy storage solution designed for industrial and commercial applications. It combines high-capacity battery modules with a reliable PCS inverter system, all within ...



Growing Impact: Solar-powered water treatment , Institute of Energy ...

Because solar adoption at wastewater treatment plants is still relatively new, there is little known about these facilities, including where they are, what drove them to choose solar, and if solar ...

SUNFiD Solar Energy Storage System

Our Battery Energy Storage System (BESS) can be operated under on-grid and Off-grid operation mode. The BESS system is controlled to cut off the grid connection within 10 seconds and switch to ...



5MWh Containerized Energy Storage System

Product features(Containerized Energy Storage System): Low energy consumption, long life, high consistency, high stability. Application scenarios: photovoltaic power plants, wind power stations, ...

5MWh Energy Storage System

Remarkable energy density: up to 5 MWh within a single 20ft container. Multiple-point electrical linkage measures incorporated for enhanced performance. Swift-acting fault protection integrated into the ...



Vacaville Solar Saves \$25M at Wastewater Plant

A new 5-MW solar and storage project by ForeFront Power at Vacaville's

Wastewater Plant is projected to save the city \$25 million in electricity costs over 20 years.



Discount on 5MW Photovoltaic Containers for Wastewater Treatment ...

Harnessing solar energy in wastewater treatment plants offers numerous benefits, including reduced carbon footprint, energy efficiency, and reliability. By implementing solar ...



5-MW solar project at wastewater plant should save city \$25 million

"By pairing solar with smart battery storage at an industrial facility that treats an average of 7.5 million gallons of wastewater daily, this project will help power operations essential to ...

5MW Energy Storage Container for Wastewater Treatment Plant

According to calculations, a 20-foot 5MWh liquid-cooled energy storage container using 314Ah batteries requires

more than 5,000 batteries, which is 1,200 fewer batteries than a 20-foot 3.44MWh liquid ...



Contact Us

For catalog requests, pricing, or partnerships, please visit:
<https://kreatywny-dom.pl>

