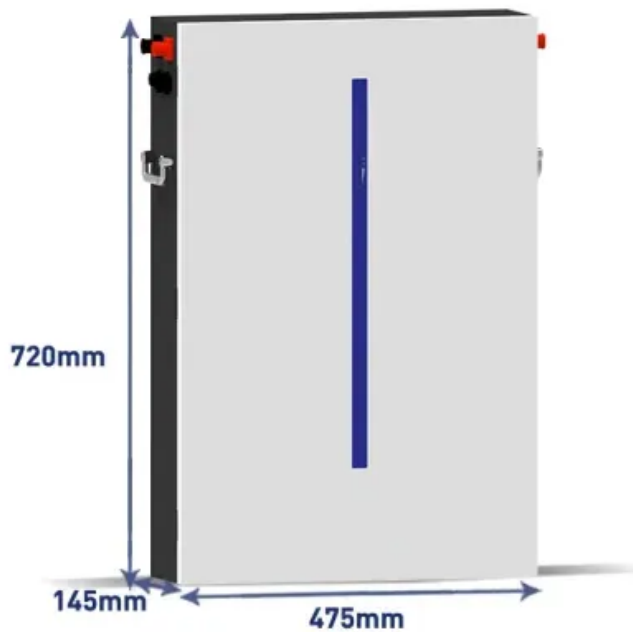


Advantages and disadvantages of high-voltage energy storage batteries



Advantages and disadvantages of high-voltage energy storage batt

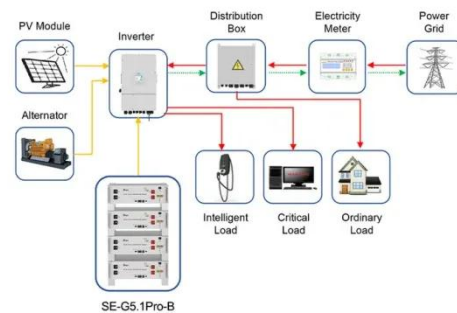


High Voltage Battery Energy Storage System: Everything You ...

We will compare high voltage vs low voltage batteries, explore their structure, advantages, safety features, and practical applications. By the end, you will have a solid understanding of why high ...

Advantages and Disadvantages of Batteries and Energy Storage ...

Summary: Batteries and energy storage systems (ESS) are transforming industries like renewable energy, transportation, and grid management. This article explores their pros and cons, supported by ...



Application scenarios of energy storage battery products



Battery Energy Storage: Advantages and Disadvantages Explained

In the rapidly evolving landscape of renewable energy, battery energy storage (BES) has emerged as a pivotal technology, enabling a more sustainable and resilient energy system. As ...

Advantages and Disadvantages of

Energy Storage Using Batteries

Explore the comprehensive analysis of the advantages and disadvantages of using batteries for energy storage. Gain insights into the efficiency, costs, environmental impact, and future potential of battery ...



High Voltage vs. Low Voltage Batteries: Which is Best for Your Energy

Higher transmission efficiency One of the advantages of high-voltage batteries is the improved energy transfer efficiency of the storage system. In applications where energy demand is ...

The pros and cons of batteries for energy storage

The time for rapid growth in industrial-scale energy storage is at hand, as countries around the world switch to renewable energies, which are gradually replacing fossil fuels. Batteries are one ...



Understanding High Voltage Battery: A Comprehensive Guide

Introduction High voltage batteries are a crucial component in numerous

industries, providing an efficient and reliable source of power for various applications. From electric vehicles to ...



High-Voltage Batteries for Solar Systems: Are ...

Learn about the benefits and downsides of high-voltage batteries in solar energy storage, including efficiency gains, costs, and technical requirements.



High Voltage vs Low Voltage Batteries: Pros, Cons

A high voltage lithium-ion battery has more energy storage and power capabilities. One of the main advantages is its fastest charging option, meaning it has an increased energy transfer ...

Advantages and disadvantages of high-voltage batteries

High-voltage batteries are typically more expensive to manufacture due to materials, BMS complexity, and advanced procedures, potentially

making NEVs more expensive than traditional cars.



Contact Us

For catalog requests, pricing, or partnerships, please visit:
<https://kreatywny-dom.pl>

