

**KREATYWNY ENERGY POLSKA**

# **Aluminum profile photovoltaic bracket cost**



## Overview

---

Prices for aluminum brackets generally hover around \$10 to \$50, depending on design and features. Aluminum profiles for photovoltaic (PV) and solar panel frames offer a range of solutions designed to enhance the durability, performance, and installation efficiency of solar power systems. These profiles are a critical component in supporting solar panels and PV systems, providing the necessary. While galvanized steel brackets dominate budget projects (¥36-¥60/m<sup>2</sup>), aluminum alloys are stealing the show in residential installations. A typical adjustable aluminum system like Xiangheng's 41" triangular frame now costs ¥123. 14 yuan, which is higher than that of common auxiliary materials like plastic film and glass. One significant aspect to note.

## Aluminum profile photovoltaic bracket cost

---



### Aluminum Solar Panel Frames and Mounting Brackets , Photovoltaic

In terms of value, the per-watt cost of the aluminum frame is 0.14 yuan, which is higher than that of common auxiliary materials like plastic film and glass. Products include photovoltaic frames, ...

### Custom Aluminum Solar Panel Mounting Brackets , HTS-ALU

With their lightweight, durable, and corrosion-resistant properties, aluminum brackets provide solutions for various installation scenarios ranging from rooftops to ground-mounted systems. Below are the ...



### Latest Photovoltaic Bracket Factory Price Guide 2025

As solar installations surge globally, photovoltaic bracket prices remain fluid. Let's break down the numbers: While galvanized steel brackets dominate budget projects (¥36-¥60/m<sup>2</sup>), aluminum alloys ...

## Aluminum Profiles For Photovoltaic

## & Solar Panel Frames

Whether for new installations or system upgrades, aluminum profiles for solar panel frames offer a cost-effective, durable, and sustainable solution for businesses seeking reliable solar mounting options.



### How much does a solar photovoltaic panel bracket cost?

Prices for aluminum brackets generally hover around \$10 to \$50, depending on design and features. Their lightweight nature allows for easier adjustment and installation, making them suitable ...

## Photovoltaic Aluminum Profile Brackets and Accessories

From standard profiles to complex, custom-engineered designs, we have the capabilities to deliver products that exceed expectations. By choosing our photovoltaic aluminum profiles, you are ...



### S-5! Solar Attachment Bracket

Secure ProteaBracket through its pre-punched holes, using the hardened drill point S-5!® screws. ProteaBracket is the perfect match for our S-5-PV Kit and

saves you the hassle of cold-bridging!  
For ...

**18650** 3.7V  
Li-ion  
RECHARGEABLE BATTERY  
**2000mAh**



## Aluminum profiles for solar panels

The SP2T0,797P1600 aluminum profile is one of our top choices for mounting solar panels on various roof structures, including sloped roofs, flat roofs, and ground installations.



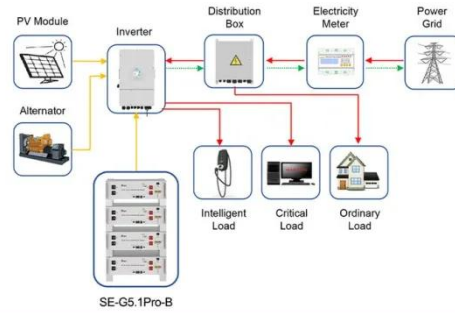
## Aluminum Frames, Rails, Clamps & Brackets for Solar Panels

Aluminium solar panel clamps fasten solar panels securely to mounting rails, ensuring stability and safety throughout the system's lifetime. Durable yet lightweight, these clamps are designed for strong ...

## Aluminum profile pv module mounting bracket

Aluminum profile PV module mounting brackets are integral components in the

solar energy sector, designed to securely position solar panels. These brackets are crucial for both small-scale residential ...



Application scenarios of energy storage battery products

## Contact Us

For catalog requests, pricing, or partnerships, please visit:  
<https://kreatywny-dom.pl>

