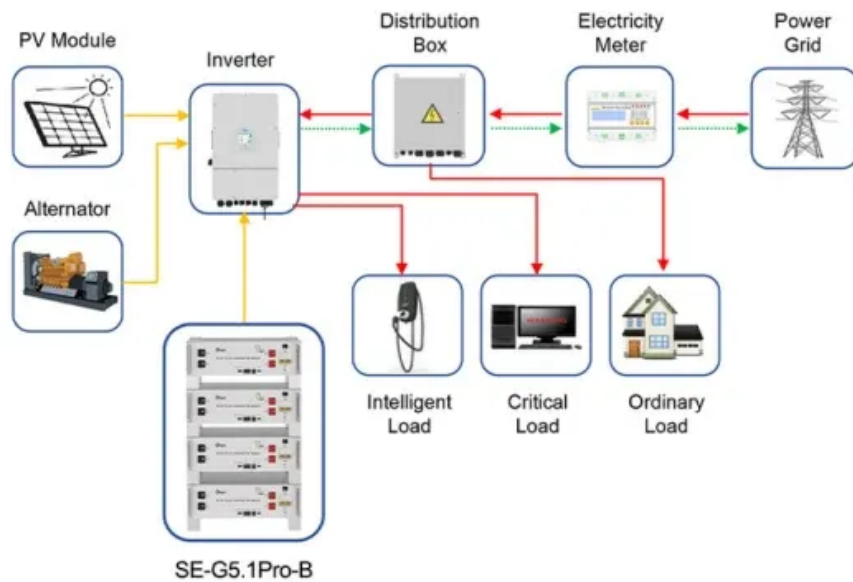


Are solar container communication station inverters connected to the grid everywhere



Application scenarios of energy storage battery products

Are solar container communication station inverters connected to the grid?

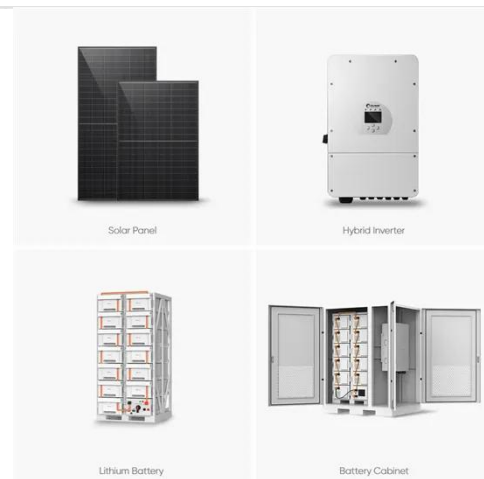


Niamey LTE emergency solar container communication ...

Solar container communication station Inverter Regulations While maximizing power transfer remains a top priority, utility grid stability is now widely acknowledged to benefit from several ...

How is the grid-connected signal of the solar container ...

How PV Grid connected inverter works? Before the pv grid connected inverter is connected to the grid for power generation, it needs to take power from the grid, detect the parameters such as voltage, ...



Solar container communication station inverter ...

The integrated containerized photovoltaic inverter station centralizes the key equipment required for grid-connected solar power systems -- including AC/DC distribution, inverters, monitoring,



5G SOLAR CONTAINER

COMMUNICATION STATION INVERTER GRID

Basseterre solar container communication station inverter grid-connected solar power generation installation The whole system is plug-and-play, easy to be transported, installed and maintained. It is ...



51.2V 300AH



Solar container communication station inverter grid-connected ...

The existing communication technologies, protocols and current practice for solar PV integration are also introduced in the report. How do grid-interactive solar PV inverters work? To support the grid, ...

Solar container communication station inverter grid ...

Solar container communication station inverter grid-connected control board
What is a grid-connected microgrid & a photovoltaic inverter? Grid-connected microgrids, wind energy systems, and ...



Startup project of grid-connected inverter for solar container

Startup project of grid-connected inverter for solar container communication station Overview We are

offering mini renewable power stations in a Off-Grid shipping Container ready to be ...



Where is the inverter grid-connected to the Tbilisi solar ...

The future of intelligent, robust, and adaptive control methods for PV grid-connected inverters is marked by increased autonomy, enhanced grid support, advanced fault tolerance, energy ...

Lithium battery parameters

Product capacity: 100Ah

Product size: 135*197*35mm

Product weight: 1.82kg

Product voltage: 3.2V

internal resistance: within 0.5



Contact Us

For catalog requests, pricing, or partnerships, please visit:
<https://kreatywny-dom.pl>

