

**KREATYWNY ENERGY POLSKA**

# **Charging pile energy storage cabinet installation cost**



## Charging pile energy storage cabinet installation cost



### How much does it cost to build a charging pile for an energy storage

Higher-capacity charging piles, suitable for energy storage stations, will undoubtedly cost more due to the technology and materials involved. For example, a basic Level 2 charger may incur ...

### New Energy Storage Charging Cabinet Price List: 2024 Cost Guide

Wondering how much a modern energy storage charging cabinet costs? This comprehensive guide breaks down pricing factors, industry benchmarks, and emerging trends for commercial and industrial ...



### Charging Pile Energy Storage Box Price: Trends, Factors, and Smart

Recent data shows household installations grew 40% YoY in 2024 [2], partly thanks to China's 1.94 million private charging piles [2]. But here's the kicker: Prices swing wider than a pendulum at a ...

## HOW MUCH DOES A STORAGE CHARGING PILE COVER COST

How much does the energy storage photovoltaic project in Pakistan cost The average price of a solar system in Pakistan ranges from Rs. 100 to Rs. 160 per watt. This includes the cost of solar panels, ...



## ENERGY STORAGE CHARGING PILE CABINET INSTALLATION

How much does a container energy storage cabinet cost in Cyprus Costs range from EUR450-EUR650 per kWh for lithium-ion systems. Higher costs of EUR500-EUR750 per kWh are driven by higher installation ...

## Mobile Charging Pile Power Box Installation: A Complete Guide for

Summary: As electric vehicle adoption surges globally, mobile charging pile power box installation has become critical for businesses and infrastructure developers. This guide explores industry trends, ...



## How much does a mobile energy storage charging pile cost?

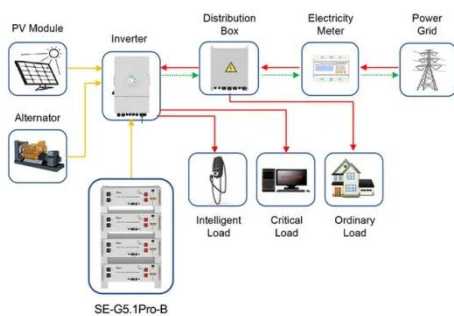
The cost of a mobile energy storage charging pile typically ranges from

\$5,000 to \$20,000, influenced by factors such as capacity, brand quality, and additional features.



## Energy Storage Equipment, Energy storage solutions, Lithium battery

The core consists of three parts - photovoltaic power generation, energy storage batteries, and charging piles. These three parts form a microgrid, using photovoltaic power ...



Application scenarios of energy storage battery products

## Cost of energy storage charging piles for communication network ...

Aiming at the charging demand of electric vehicles, an improved genetic algorithm is proposed to optimize the energy storage charging piles optimization scheme.

## What You Need to Install a Charging Pile Energy Storage Cabinet

A typical 100kW installation ranges \$28,000-\$42,000, with 35% allocated to battery packs and 20% to smart controllers. However, tax incentives can

recover up to 30% of initial costs in eligible regions.



---

## Contact Us

---

For catalog requests, pricing, or partnerships, please visit:  
<https://kreatywny-dom.pl>

