

KREATYWNY ENERGY POLSKA

Earthquake-resistant integrated energy storage cabinet for data centers

*Lower cost
larger system*

20Kwh

30Kwh



Verified Supplier



Earthquake-resistant integrated energy storage cabinet for data ce



Seismic Rack Cabinets for Data Centers Market

Critical Purchasing Criteria for Seismic Rack Cabinets in Data Centers Data center operators prioritize specific, measurable criteria when selecting seismic rack cabinets, driven by the ...

The Best Seismic Server Racks , Gaw Technology

No cost program for data center and IT professionals who purchase multiple server racks + cabinets each year. Free design consultations, dedicated customer service representative, pre-installed ...



Energy Storage Cabinet Seismic Resilience: Engineering for Earthquake

How much structural stress can modern energy storage cabinets endure during seismic events? As global deployments surge 78% year-over-year (Wood Mackenzie Q2 2023), earthquake resilience ...

KabinPLUS KS Seismic

Seismic Rack Cabinets KabinPLUS KS 19" Data Center Seismic Rack Cabinets have been designed to offer high flexibility and efficiency with a robust and anti-seismic core construction for data centres to ...



What is Seismic Server Rack Cabinet? Uses, How It Works

As data centers grow more critical, the demand for resilient infrastructure will intensify. Innovations in materials and design will further enhance seismic resistance, making these cabinets ...

EARTHQUAKE RESISTANT

Standard SEISMIC-Cabinets fulfil all requirements of DIN EN 50272-2. The parts are electrically conducting and connected with contact washers. You are free to choose the ground ...



How does the earthquake-resistant structure ensure the ...

These cabinets feature modular designs that balance flexibility with sturdiness, allowing for easy configuration while maintaining robust protection. Among



their key attributes is an integrated ...

Seismic Cabinets

Seismic Cabinets Belden's Server and Switch Cabinets are certified to Seismic Zone 4 requirements, passing vibration and shock testing per GR-63-CORE Network Equipment Building System (NEBS) ...



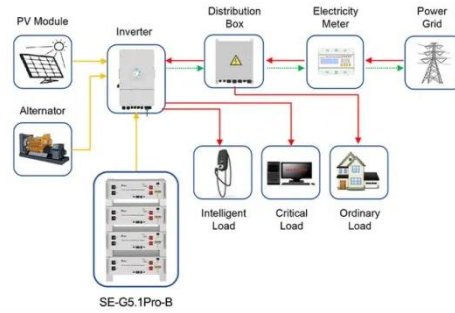
Seismic Rack Cabinet

In earthquake-prone regions, countries and areas require seismic-resistant solutions to safeguard data centers and critical infrastructure. Seismic rack cabinets provide an ideal solution for protecting ...

Seismic Solutions For Data Center

Seismic protection is of vital importance for earthquake safety of electronic and mechanical systems in structures that will be used first, such as hospitals, communication centers, data centers,

and power ...



Application scenarios of energy storage battery products

Contact Us

For catalog requests, pricing, or partnerships, please visit:
<https://kreatywny-dom.pl>

