

**KREATYWNY ENERGY POLSKA**

# **Energy storage battery container installation process**



## Overview

---

This article gives a comprehensive overview of the battery storage installation process, helping you understand the key considerations and steps involved in successfully integrating a battery storage system into your home. A Battery Energy Storage System (BESS) stores energy produced from renewable sources like solar or wind for later use. These systems operate by capturing excess energy when the. Energy storage containers are integral to modern energy management, offering a reliable and scalable solution for storing and distributing power. With the global energy storage market projected to grow 15% annually through. This guide explores the technical process, best practices, and emerging trends in utility-scale battery installation - essential knowledge for project de As renewable energy adoption accelerates globally, constructing efficient battery systems for energy storage power stations has become critical.

## Energy storage battery container installation process

---



### How to Install a Battery Energy Storage System (BESS)

This guide aims to provide an overview of how to install a BESS, ensuring a successful setup that maximizes its benefits.

---

### Battery Storage Installation: A Guide

This article gives a comprehensive overview of the battery storage installation process, helping you understand the key considerations and steps involved in successfully integrating a ...



### Energy Storage Battery System Installation Process: A Step-by-Step

The energy storage battery system installation process might seem like rocket science, but it's more like assembling a high-stakes LEGO set - if you follow the right blueprint.

---

## Containerized Battery Energy

## Storage System (BESS): 2024 Guide

Containerized Battery Energy Storage Systems (BESS) are essentially large batteries housed within storage containers. These systems are designed to store energy from renewable ...



### What are the installation requirements for energy storage containers

In this blog, I will delve into the installation requirements for energy storage containers, covering aspects such as site selection, electrical connections, safety measures, and environmental considerations.

### Installation process of energy storage container

The Battery Energy Storage System (BESS) container design sequence is a series of steps that outline the design and development of a containerized energy storage system.



### Installation Process of Energy Storage Container: A Step-by-Step

...

Whether you're an engineer working on

Support Customized Product

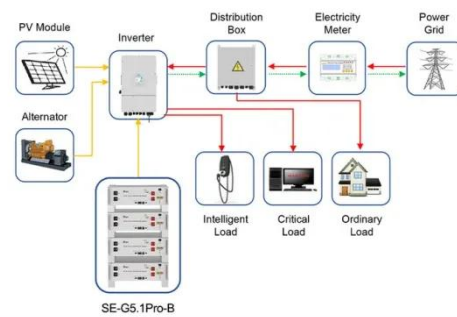


utility-scale projects or a facility manager handling commercial energy storage container installations, this guide cuts through the technical ...

**Energy Storage Power Station Battery Construction Process: Key**

...

This guide explores the technical process, best practices, and emerging trends in utility-scale battery installation - essential knowledge for project developers, grid operators, and clean energy investors.



Application scenarios of energy storage battery products



**HOW TO DESIGN A BESS (BATTERY ENERGY STORAGE SYSTEM) CONTAINER?**

The design of a BESS (Battery Energy Storage System) container involves several steps to ensure that it meets the requirements for safety, functionality, and efficiency.

**The BESS System: Construction, Commissioning, and O& M Guide**

The Industrial and Commercial (C& I) Energy Storage: Construction, Commissioning, and O& M Guide provides a detailed overview of the processes involved in building, commissioning, and maintaining ...



---

## Contact Us

---

For catalog requests, pricing, or partnerships, please visit:  
<https://kreatywny-dom.pl>

