

KREATYWNY ENERGY POLSKA

Energy storage power station gw



Overview

A battery energy storage system (BESS), battery storage power station, battery energy grid storage (BEGS) or battery grid storage is a type of technology that uses a group of in the grid to store . Battery storage is the fastest responding on, and it is used to stabilise those grids, as battery storage can transition from standby to full power in u.

Energy storage power station gw



Battery boom: 5.6 GW of US energy storage added in Q2

In Q2 2025, a record 5.6 gigawatts (GW) of new capacity came online, according to the latest US Energy Storage Monitor report from the American Clean Power Association (ACP) and ...

Energy Storage Outlook: The expanding role of BESS in global ...

The battery energy storage market continues its rapid growth, reshaping power systems worldwide. After a historic 2025, when global BESS capacity surpassed 250 GW and overtook ...



Battery energy storage system

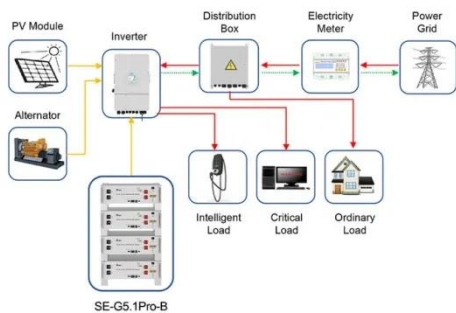
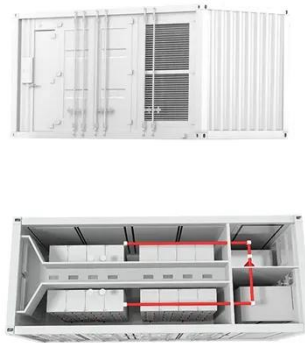
Overview Construction Safety Operating characteristics Market development and deployment

A battery energy storage system (BESS), battery storage power station, battery energy grid storage (BEGS) or battery grid storage is a type of energy storage technology that uses a group of batteries in the grid to store electrical energy. Battery storage is the fastest responding dispatchable source of power on electric

grids, and it is used to stabilise those grids, as battery storage can transition from standby to full power in u...

Solar, battery storage to lead new U.S. generating capacity additions

In 2025, capacity growth from battery storage could set a record as we expect 18.2 GW of utility-scale battery storage to be added to the grid. U.S. battery storage already achieved record growth in 2024 ...



Application scenarios of energy storage battery products

Battery energy storage system

A battery energy storage system (BESS), battery storage power station, battery energy grid storage (BEGS) or battery grid storage is a type of energy storage technology that uses a group of batteries ...

US Energy Storage Installations Reach New Quarterly Record in Q2

...

According to the report, U.S. storage will reach 87.8 GW by 2029, driven by residential and utility-scale segments amidst a constantly evolving policy environment.





Energy storage

China led the market in grid-scale battery storage additions in 2022, with annual installations approaching 5 GW. This was followed closely by the United States, which commissioned 4 GW over ...

U.S. Grid Energy Storage Factsheet

The U.S. has 431 operational battery energy storage projects, 8 using lead-acid, lithium-ion, nickel-based, sodium-based, and flow batteries. 10 These projects totaled 27 GW of rated power in 2024, 8 ...



Development and Application of Energy Management System for GW

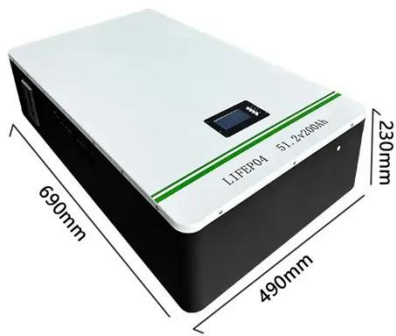
With the rapid development of renewable energy and the increasing demand for electricity, the energy management system of GW level energy storage stations plays

US battery storage boom extends into 2025; nearly 19 GW under

The US Energy Information Administration expects 18.2 GW of utility-

scale battery storage resources to come online this year, or 29% of anticipated capacity additions, second only to solar

...



Grid-Scale Energy Storage: GW & GWh Explained

The two defining characteristics of electric grid-scale storage systems are the amount of power they can deliver continuously (MW, GW, TW) and the total amount of power they can deliver ...

Contact Us

For catalog requests, pricing, or partnerships, please visit:
<https://kreatywny-dom.pl>

