

**KREATYWNY ENERGY POLSKA**

# **Fixed Power Storage Cabinet Product Manual**



## Fixed Power Storage Cabinet Product Manual

---



### Fixed Media Storage Cabinets

o Cabinets have adjustable steel leveling glides for uneven floors. o Drawers and slide-outs are preinstalled but can be repositioned. Adjustable shelves are packaged loose for customer preferred ...

### Wenger 1-Column, 2-Column Fixed Media Cabinet Owner's Manual

Find information about the Fixed Media Cabinet 1-Column, Fixed Media Cabinet 2-Column. Learn about features, assembly, and operation. This manual includes instructions for leveling, attaching, and ...



### Owner's Manual Media Storage Systems

IMPORTANT: the following procedures are shown using the 2-column fixed media cabinet, the procedures for the 1-column fixed media cabinet are similar unless indicated otherwise.

### Power Cabinet Series

Please read this manual and comply with all warnings and instructions before installing your cabinet as it provides important information that should be followed during its installation and maintenance, ...

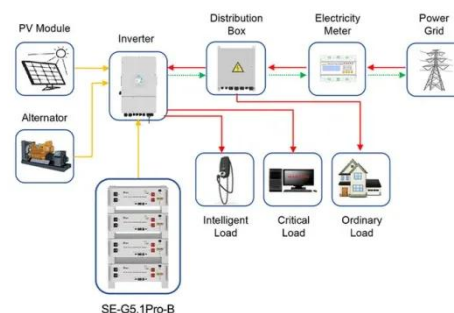


## Energy Storage Systems User Manual

The product manual is an indispensable and important part of the product. The manual contains important information on transportation, installation, overhaul, maintenance, etc.

## Dell EMC PowerStore 40U-P Cabinet Unpacking and Setup Guide

Depending on the cabinet configuration and input ac power source, single or three-phase, the cabinet requires two to 12 independent power sources. To determine your site requirements, use the ...



Application scenarios of energy storage battery products

## Microsoft Word

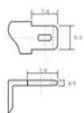
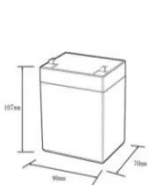
The energy storage system consists of a bidirectional power converter PCS, a battery system, an energy management system EMS, and other equipment, as

shown in Figure 2-1 below.



## RENEPOLY PCS-420KW Energy Storage Cabinet User Manual

The PCS-420KW Energy Storage Cabinet (PCS) cabinet is equipped with SPD protector, AC/DC breaker and distribution units. If on/off-grid switching is to be achieved, extra power distribution unit ...



**12.8V6AH**

Nominal voltage (V):12.8  
 Nominal capacity (ah):6  
 Rated energy (WH):76.8  
 Maximum charging voltage (V):14.6  
 Maximum charging current (a):6  
 Floating charge voltage (V):13.6~13.8  
 Maximum continuous discharge current (a):10  
 Maximum peak discharge current @10 seconds (a):20  
 Maximum load power (W):100  
 Discharge cut-off voltage (V):10.8  
 Charging temperature (°C):-50  
 Discharge temperature (°C):-20~+60  
 Working humidity: <95% R.H (non condensing)  
 Number of cycles (25 °C, 0.5c, 100%doD): >2000  
 Cell combination mode: 32700-4s1p  
 Terminal specification: T2 (6.3mm)  
 Protection grade: IP65  
 Overall dimension (mm):50\*70\*107mm  
 Reference weight (kg):0.7  
 Certification: un38.3/msds

## WENGER FIXED MEDIA CABINETS OWNER'S MANUAL Pdf Download

View and Download Wenger Fixed Media Cabinets owner's manual online. Media Storage Systems. Fixed Media Cabinets indoor furnishing pdf manual download.

## Contact Us

For catalog requests, pricing, or partnerships, please visit:  
<https://kreatywny-dom.pl>

