

KREATYWNY ENERGY POLSKA

Function Maximum 12V inverter



Overview

DC to AC Conversion: Transforms 12V DC power from batteries into 110V/220V AC for household appliances. Voltage Regulation: Maintains stable output even with fluctuating input voltages. Surge Protection: Handles temporary power spikes from devices like refrigerators. Why 12V Inverters Are Changing the Game Imagine trying to charge your laptop during a camping trip or power medical. The battery capacity for a 12-volt Mass Sine 12/1200, for instance, is 240 Ah, while a 24-volt Mass Sine 24/1500 inverter would require at least 150 Ah. The capacity required for other loads should be added to it. How much power does an. This type of inverter is compact in size and easy to connect, suitable for 12V battery systems, and can provide stable AC power for laptops, small appliances, lighting equipment, etc. Buy 4-9pcs, get 8% OFF; Buy 10-14pcs, get 10% OFF; Buy 15+pcs, get 13% OFF Achieves over 90% efficiency with 6000W peak surge for reliable power.

Function Maximum 12V inverter

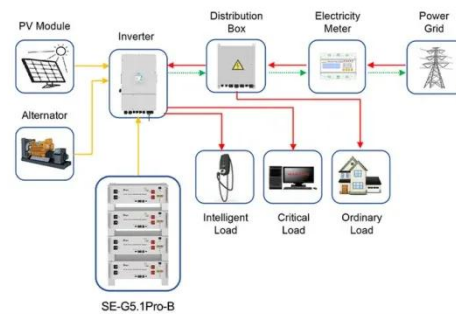


Frequently Asked Questions about Inverters

Inverters not only have the function of direct to alternating current conversion, but also have the function of maximizing the performance of solar ...

Power inverters 12v

Inverters not only have the function of direct to alternating current conversion, but also have the function of maximizing the performance of solar cells and system fault protection.



Application scenarios of energy storage battery products



How Many Functions Does a 12V Inverter Have? A Comprehensive ...

From basic power conversion to smart energy management, modern 12V inverters are essential for renewable energy systems, mobile power solutions, and emergency backup setups.

12v 3000 Watt Pure Sine Wave Inverter , Renogy US

Whether you're powering up a van, semi-truck, 5th wheel, cabin, or any remote hideaway, this inverter is your ticket to uninterrupted power. Pure sine wave inverter not only powers your electronics but also safeguards ...



Best 12 Volt House Power Inverter [Updated: February 2026]

To maximize the benefits of 12 Volt inverters, experts recommend proper sizing, regular maintenance, and optimal battery management. The Solar Energy Industries Association emphasizes ...

Inverter Compact 1200VA

It is developed for professional duty and suitable for the wide range of applications. The Inverters Compact is available from 1200VA up to 2000VA in 12V or 24V.



Frequently Asked Questions about Inverters

Mastervolt sine wave inverters have an output efficiency of more than 92 %, which is the maximum that can be achieved with modern technology. If you

connect an 850 W coffee maker to a
Mass sine wave inverter, ...



Inverter & Charge - Hybrid Solar Inverter & ESS ...

PV1800 VPK Series (1-5KW) * High
Frequency Inverter * Cold start function *
PV 44-105V , DC 12/24/48V * PWM
50/60A



12v Inverter, 12v DC to 110v/220v AC Power Inverter , inverter



500-watt 12V to 120V inverter with DC
12V input voltage, peak power up to
1000W, and max efficiency reach 90%.
Equipped with USB port 5V 1A, the
power inverter can work at temperatures
(-10°C, 50°C), and an ...

Function Maximum 12V Inverter: Power Solutions for Modern Energy

...

Summary: Discover how 12V inverters
bridge portable power gaps across

industries. Learn key features, real-world applications, and why EK SOLAR's smart technology leads this space.



Contact Us

For catalog requests, pricing, or partnerships, please visit:
<https://kreatywny-dom.pl>

