

KREATYWNY ENERGY POLSKA

Georgia solar Energy Storage Branch



Overview

This strategic site is co-located with the existing solar facility adjacent to the Robins Air Force Base and allows Georgia Power to leverage existing infrastructure, thereby eliminating the need to construct new transmission generator step-up (GSU) project-level substations and. This strategic site is co-located with the existing solar facility adjacent to the Robins Air Force Base and allows Georgia Power to leverage existing infrastructure, thereby eliminating the need to construct new transmission generator step-up (GSU) project-level substations and. Georgia Power leaders joined elected officials from the Georgia Public Service Commission (PSC), Georgia legislature, and Talbot and Muscogee counties on Thursday to mark commercial operation of the company's first "grid-connected" battery energy storage system (BESS). The Mossy Branch Battery. The 65-megawatt Mossy Branch Battery Energy Storage System in Talbot County, Ga. Georgia Power will soon flip a switch and turn on its latest clean energy construction project: battery storage. When millions of Georgians begin their day by turning on lights, the coffee. Georgia Power began commercial operation of the company's first grid-connected battery energy storage system, the 65-MW Mossy Branch Battery Facility, in November 2024. Please let us know if you have feedback.

Georgia solar Energy Storage Branch



Launch of Georgia Power's First Grid-Connected Battery System

The Mossy Branch BESS can store excess renewable energy (e.g., solar power) during low-demand periods and release it during high-demand times, enhancing the grid's efficiency and ...

Georgia Power 65 MW battery plant opens in Talbot County, GA

A new 65 megawatt battery energy storage system named Mossy Branch Energy Facility in Talbot County is live. It features 6,700 batteries in 208 gray enclosures on 2.5 acres that store

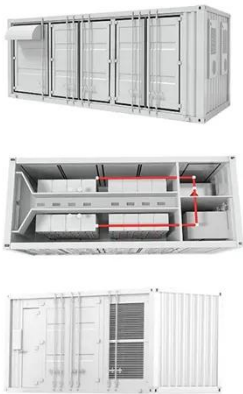


Georgia Power BESS Reaches Commercial Operation

Georgia Power 's first grid-connected battery energy storage system (BESS), the 65 MW Mossy Branch Battery Facility, has reached commercial operation.

Georgia Power seeks 500 MW storage, possibly with renewable ...

Georgia Power is seeking 500 MW of energy storage with the ability to discharge for at least two hours, either standalone or with associated renewable resources, the utility said Tuesday.



Georgia installs first battery storage system in Talbot County. How it

The brand new and first ever, 65 MW (megawatt) BESS, named Mossy Branch Energy Facility, sits on 2.5 acres of rural land in Talbot County, 40 minutes north of Columbus. Near the 400 ...

Georgia Power's first battery energy storage system reaches ...

The Mossy Branch Battery Facility is capable of 65 megawatts (MW) of battery storage that can be deployed back to the grid over a four-hour period, adding resiliency to the state's power ...



Here's Where Georgia Is Installing 500 MW of New Battery Energy Storage

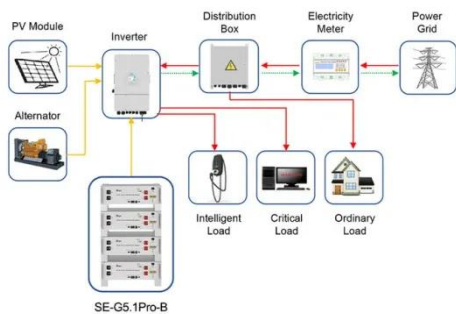
In February, Georgia Power installed its first BESS, the Mossy Branch Energy Facility, a 65 MW BESS on 2.5 acres of

rural countryside in Talbot County, north of Columbus.



Georgia Power's first battery energy storage system reaches ...

Committed to delivering clean, safe, reliable and affordable energy, Georgia Power maintains a diverse, innovative generation mix that includes nuclear, coal and natural gas, as well as ...



Application scenarios of energy storage battery products

Georgia Public Service Commission approves 500 MW of battery energy storage

The Georgia Public Service Commission (PSC) has signed off on Georgia Power's plans to build 500 megawatts (MW) of battery energy storage across four locations, voting unanimously to ...

Construction now underway on 765 MW of new battery energy storage

Georgia Power announced today that construction is underway on 765-megawatts (MW) of new battery

energy storage systems (BESS)
strategically located across Georgia in
Bibb, ...



Contact Us

For catalog requests, pricing, or partnerships, please visit:
<https://kreatywny-dom.pl>

