

KREATYWNY ENERGY POLSKA

Ginsas Smart Photovoltaic Energy Storage Unit 10MWh



Ginsas Smart Photovoltaic Energy Storage Unit 10MWh



Energy Storage Equipment, Energy storage solutions, Lithium ...

The core consists of three parts - photovoltaic power generation, energy storage batteries, and charging piles. These three parts form a microgrid, using photovoltaic power ...

1MWh 5MWh 10Mwh ESS Container Energy Storage System

It meets the application needs of regional power grid peak shaving, frequency regulation, voltage regulation, emergency response, new energy consumption, etc., and ensures the normal operation ...



United Energy Solar Storage System 10MW 10mwh Solar Energy ...



As a world-class solar products manufacturer, United Energy specializes in research, development, Production, and sales of solar PV products.

Where can I find full-text articles from the Harvard Business

Our PressReader subscription allows you to view recent issues of Harvard Business Review (China). The Pardee Library also subscribes to the print edition of HBR; recent issues are in ...



1MWh to 10MWh Container Energy Storage System for Industrial ...

Scalable 1MWh-10MWh containerized energy storage system for commercial & industrial use. Ideal for peak shaving, backup power, and grid support. Safe, modular, and smart EMS ready.

Harvard business review : Free Download, Borrow, and

Harvard business review Publication date 1922 Topics Business -- Periodicals, Economic history -- Periodicals, Commerce, Economics, Affaires, Histoire economique, Mensuels, Business, ...



May-June 2022

Find new ideas and classic advice on strategy, innovation and leadership, for global leaders from the world's best business and management experts.



How do I access the full-text of Harvard Business Review (HBR)

The short answer is via EBSCO Business Source Ultimate. From the EBSCO home page, click on the Publications tab (underneath the main search boxes) and then, in the Browsing ...



TAX FREE 

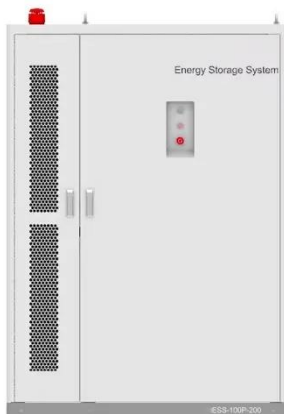
Product Model
HJ-ESS-215A(100KW/215KWh)
HJ-ESS-115A(50KW 115KWh)

Dimensions
1600*1280*2200mm
1600*1200*2000mm

Rated Battery Capacity
215KWH/115KWH

Battery Cooling Method
Air Cooled/Liquid Cooled

ENERGY STORAGE SYSTEM



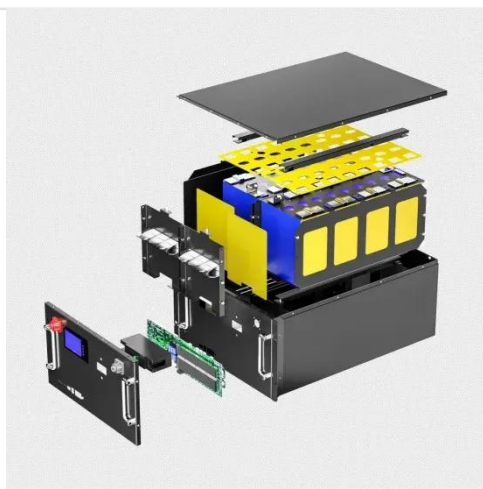
112 Stop Selling and Designing Work That People Love

Each quarterly Harvard Business Review Special Issue focuses on a single, timely theme and includes expert-authored articles from HBR's rich archives, along with concise article summaries.

Grid-Scale Graphene Battery Storage , 5MWh-10MWh ENPACK

Modular graphene energy storage unit built on patented electrostatic technology. With no chemical reactions or thermal risk, it delivers safe, long-

duration energy for critical infrastructure, renewable ...



Where can I find articles from the Harvard Business Review

Current print issues of HBR are available at Marx Science and Social Science Library. Older issues can be requested from the Yale Library Shelving Facility (LSF), and individual articles ...

Envision-Energy Storage System

With advanced battery management, power controls, and AIoT integration, it offers end-to-end services including delivery, installation, and long-term O&M. Envision's smart storage solutions enhance grid ...



10 MWh Battery Storage Systems: Powering Large-Scale Renewable ...

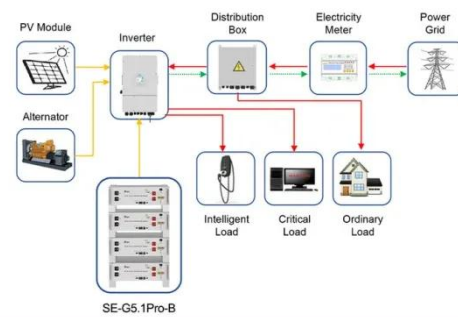
With 82% of utilities planning time-of-use rate adjustments by 2026, scalable storage becomes non-negotiable. Our



containerized 10 MWh battery systems allow capacity expansion in 2.5 ...

10MWh Smart Photovoltaic Energy Storage Container for Power Stations

I'm interested in learning more about your 10MWh Smart Photovoltaic Energy Storage Container for Power Stations. Please send me detailed specifications and pricing information.



Application scenarios of energy storage battery products



How do I access Free Articles on HBR ? - Harvard Business

To read free articles on HBR , follow these steps: Go to HBR : Visit the Harvard Business Review website. Create a Free Account:

Battery Energy Storage System 500KWh-10MWh / Custom Solutions

...

Store excess solar energy for use during peak hours, increasing self-consumption

and reducing electricity costs, and enhance reliability by ensuring critical loads remain powered during outages.



5-In-One Energy Storage System & Home ESS Solutions , Sigenergy

Integrating Solar Inverter, EV DC Charger, Battery PCS, Battery Pack, and EMS into one powerful energy system - this is our revolutionary 5-in-One Home ESS. Simplified to give you a smart and

...

Contact Us

For catalog requests, pricing, or partnerships, please visit:
<https://kreatywny-dom.pl>

