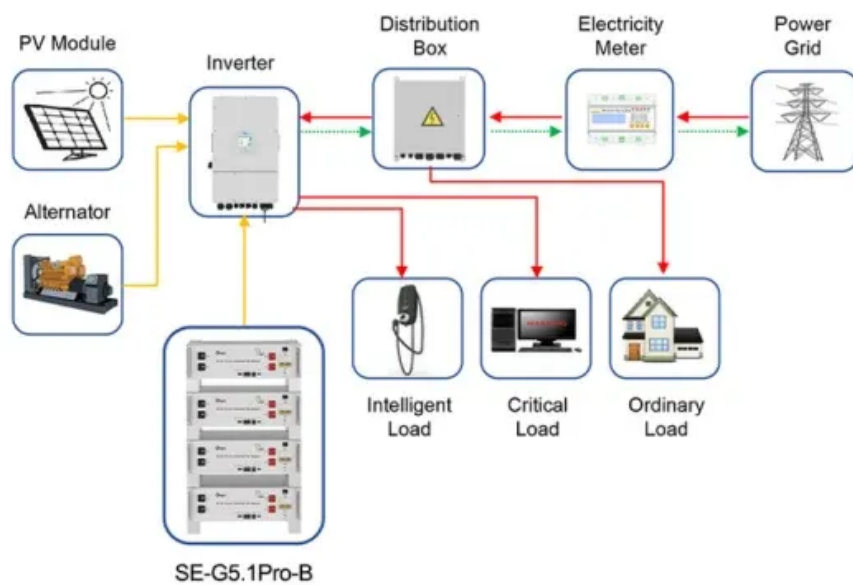


# Hot sale wholesale replacing a breaker Price



**Application scenarios of energy storage battery products**



## Overview

---

This guide provides clear cost ranges in USD and practical pricing details to help buyers plan. Cost estimates for replacing a circuit breaker typically span from about \$150 to \$1,000, with most residential swaps landing in the \$250-\$500 range when no panel upgrade or permit is needed. This helps you avoid surprises when budgeting for the. Founded in 2004, Shanghai DADA ELECTRIC Co., Ltd is acknowledged as one of the most respected nationwide manufacturers and exporters of low voltage CIRCUIT BREAKER in China. The Group, comprising 3 factories, owns a production area of 52, 400m<sup>2</sup> And employs more than 500 staff. When your home's electrical system encounters issues.

## Hot sale wholesale replacing a breaker Price

---



### Circuit Breaker Replacement: How Much To Expect?

The circuit breaker replacement cost can range from around \$100 to \$350 or more for a single breaker replacement. This includes the cost of the new breaker and the electrician's labor.

---

### Global B2B Marketplace , Top B2B Trading Platform , TradeWheel

\* By joining, I agree to terms of use, privacy policy, IPR and agree to receive emails related to our services. 20 hours ago Looking to partner with ebook readers su 20 hours ago I want to buy rubber ...



---

### Circuit Breaker Replacement Cost Guide: Friendly Tips to Save ...

Knowing what affects the cost to replace a circuit breaker helps you manage your budget. Prices vary based on the type of breaker you need, the work involved, and where you live. You'll also want to ...



---

### Circuit Breaker Manufacturer,

## Molded Case Circuit Breaker, Miniature

Founded in 2004, Shanghai DADA ELECTRIC Co., Ltd is acknowledged as one of the most respected nationwide manufacturers and exporters of low voltage CIRCUIT BREAKER in China. The Group, ...



## Circuit Breaker Manufacturer, Molded Case Circuit Breaker, ...

Founded in 2004, Shanghai DADA ELECTRIC Co., Ltd is acknowledged as one of the most respected nationwide manufacturers and exporters of low voltage CIRCUIT BREAKER in ...

## Circuit Breaker Replacement Costs and Pricing 2026

Key price drivers include the panel's age and type, breaker amperage and interrupting capacity, and whether a main or subpanel is involved. Additional factors are accessibility, existing ...



## How Much To Replace Circuit Breaker Cost: The Ultimate Price Guide

Replacing a single circuit breaker is significantly cheaper than replacing the entire electrical panel. The cost to

replace a circuit breaker is typically in the hundreds of dollars, while an ...



---

## Circuit Breaker Replacement Cost Guide 2025

Typical costs for replacing a circuit breaker range from a few hundred dollars to over a thousand, depending on the breaker type, panel accessibility, and any surrounding electrical work. ...



---

## Cost to Replace a Breaker: Price Guide 2025

Costs break down into three main components: the new breaker, labor to install it safely, and any required ancillary costs like permits or inspections. Per-unit pricing for the breaker itself can ...



---

## How Much For A New Circuit Breaker: Pricing Guide

Knowing how much to budget for a new circuit breaker is crucial for homeowners. The circuit breaker

replacement cost can vary significantly based on several factors, from the type of ...



### **Cost to Replace a Breaker: Price Guide - One and Done Prep**

Cost-saving ideas include replacing a breaker during a single service call for multiple open circuits, asking for a flat-rate price when possible, and opting for standard breakers where code ...

## **Contact Us**

For catalog requests, pricing, or partnerships, please visit:  
<https://kreatywny-dom.pl>

