

# How many volts of voltage can a photovoltaic panel generate



## How many volts of voltage can a photovoltaic panel generate

---

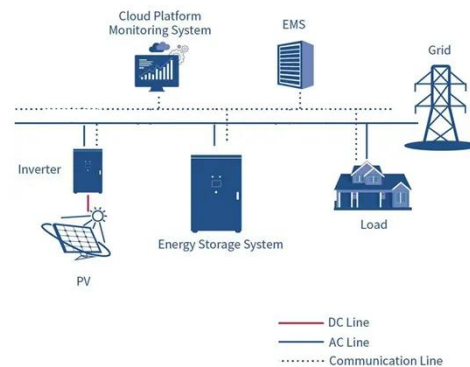


### How Much Voltage Does a Solar Panel Produce?

In the United States, the average solar panel voltage aligns with global standards, typically falling between 30 to 40 volts. However, the market is evolving, with advancements in ...

### Solar Panel Output Voltage: How Many Volts Do PV Panel Produce?

Each PV cell produces anywhere between 0.5V and 0.6V, according to Wikipedia; this is known as Open-Circuit Voltage or V<sub>OC</sub> for short. To be more accurate, a typical open circuit voltage of a solar ...



### How Many Volts Does a Solar Panel Produce?

Typically, a 100-watt solar panel produces about 5.55Amps/18 volts of maximum power voltage. The voltage that solar panels produce when they produce electricity varies according to the ...

### How Many Volts Can A Solar Panel

## Produce?

Each PV cell within a solar panel generates a small voltage, typically between 0.5 and 0.6 volts under standard test conditions (STC). The total voltage output of a solar panel is ...



LPW48V100H  
48.0V or 51.2V

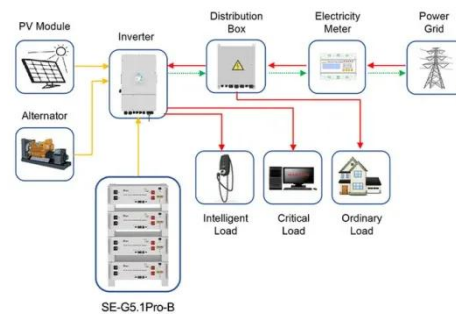


## How Many Volts Does a Solar Panel Produce? Power Output Guide

A typical solar panel produces a voltage between 10 and 30 volts, depending on the type and configuration of the panel. The exact voltage output is influenced by the number of solar cells in ...

## What Voltage My Solar Panel Produces (Calculations + Examples)

Most 32 cell panels are wired in series to produce voltage for a 12-volt system. Most 72 cell panels are wired in series to produce 24 volts, but could also have pairs of strings wired in parallel to ...



Application scenarios of energy storage battery products

## Solar Panel Output Voltage: 2025 Complete Guide & Specifications

Solar panel output voltage typically ranges from 5-40 volts for individual panels, with system voltages reaching up to 1500V for large-scale installations.

The exact voltage depends on panel type, cell ...



---

## How Many Volts Does a Solar Panel Generate? - VTOMAN

Quick Answer: A solar panel typically generates a voltage ranging from 5 volts for small, portable panels to around 30 to 40 volts for standard residential panels under full sun.



---

## What Voltage Does a Solar Panel Produce? The Surprising Answer

Most residential solar panels generate between 16-40 volts DC, with an average of around 30 volts per panel under ideal conditions. However, the actual voltage fluctuates based on ...



51.2V 300AH

---

## How many volts of electricity do solar panels generate?

In general, solar panels produce a voltage range of around 18 to 50 volts. The specific output depends on various factors, including the type of solar panel,

sunlight conditions, and the ...



## Contact Us

---

For catalog requests, pricing, or partnerships, please visit:  
<https://kreatywny-dom.pl>

