

How many watts and 6V are there for a solar panel 190x24cm



Overview

Free online solar panel output calculator — estimate daily, monthly, and yearly kWh energy production based on panel wattage, number of panels, sun hours, and system efficiency. If you want to know more about solar panel sizes and wattage calculations, feel free to explore our fun and helpful solar panel. The fundamental formula for calculating solar panel wattage is: $\text{Wattage} = \text{Voltage} \times \text{Current}$ When applied to solar panels, this can be expressed as: $\text{Solar Panel Wattage} = V_{mp} \times I_{mp}$ Where: V_{mp} represents the voltage at maximum power point, indicating the optimal voltage level at which the panel. Definition: This calculator estimates the total wattage of a solar panel system based on the number of panels and their individual wattage. Purpose: It helps solar installers and homeowners determine the total power output capacity of a solar panel array. How Does the Calculator Work?

The. If you are using an DC to AC power inverter, meaning your device is rated in AC amps and 110 V, you will need to convert that number into DC watts before entering it in the field. The mode changes what you provide (e., daily vs monthly load, or target kW vs usage-based sizing).

How many watts and 6V are there for a solar panel 190x24cm



Solar System Watts Calculator

Definition: This calculator estimates the total wattage of a solar panel system based on the number of panels and their individual wattage. Purpose: It helps solar installers and homeowners determine the ...

Solar Panel Wattage Calculator

This calculator considers variables such as panel efficiency, sunlight intensity, and environmental conditions, allowing for a more accurate prediction of the electricity a solar panel can generate.



Solar Calculator

Calculate how much power you need with these solar calculators to estimate the size and the cost of the solar panel array needed for your home energy usage.

WhatsApp Web

Today, for the first time, millions of you will have the ability to use WhatsApp on your web browser. Our web client is simply an extension of your phone: the web browser mirrors conversations ...



Solar Panel Output Calculator by Wattage , SolarMathLab

Free online solar panel output calculator -- estimate daily, monthly, and yearly kWh energy production based on panel wattage, number of panels, sun hours, and system efficiency.

WhatsApp Web: Qué es, cómo se utiliza y comparativa frente a

WhatsApp Web es una manera de utilizar WhatsApp a través de tu navegador, pudiendo escribir tus mensajes, leerlos o enviar archivos. Prácticamente puedes hacer lo mismo que en la ...



WhatsApp Web: qué es, cómo usarlo y trucos para sacarle el máximo

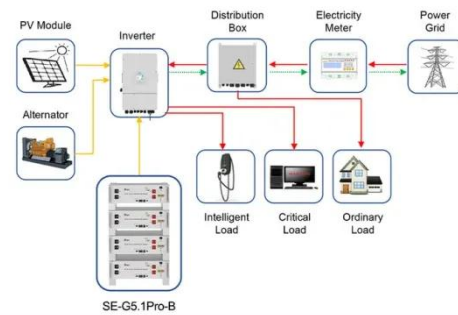
WhatsApp Web es el cliente de escritorio del servicio de mensajería, herramienta que posibilita el estar pendientes a la aplicación de mensajería sin necesidad



de estar mirando el móvil.

Información acerca de WhatsApp Web

WhatsApp Web te permite enviar mensajes privados desde cualquier navegador de tu escritorio para mantenerte conectado. Ofrece la comodidad y los beneficios de una pantalla más grande, sin ...



Application scenarios of energy storage battery products



Solar Panel Wattage Explained: How Many Watts Do You Need?

Confused about solar panel wattage? Learn how many watts you need, how solar output works, and how to calculate the right solar setup for your home, RV, or cabin.

Cómo utilizar WhatsApp Web en Windows y Mac

Para iniciar WhatsApp Web, simplemente haz clic en la página web de Chrome, Firefox, Opera, Safari o Edge y escanea

el código QR con la aplicación móvil WhatsApp desde tu celular.

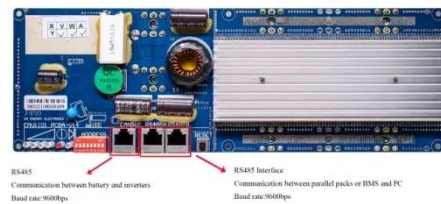


Solar Panel Calculator , BatteryStuff

Calculate how many solar panels you need with this solar calculator. Great for estimating the solar panels needed for a solar array project.

Cómo vincular un dispositivo en WhatsApp Web paso a paso

Aprende a vincular WhatsApp Web con tu dispositivo con y sin código QR. Guía paso a paso y solución de problemas.



Solar Panel Wattage Calculator

This solar panel wattage calculator allows you to calculate the recommended solar panel wattage according to the energy consumption of your household appliances.



Solar Panel Power Calculator

Solar Panel Calculator is an online tool used in electrical engineering to estimate the total power output, solar system output voltage and current when the number of solar panel units connected in series or ...



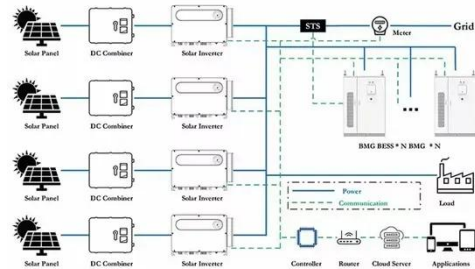
Cómo vincular un dispositivo , WhatsApp Help Center

Esta función no está disponible en la app web, pero sí lo está en estos dispositivos. Selecciona uno para obtener más información sobre esta función.

Watt Calculator: Making Solar Easy

The voltage of solar panels is typically between 12 and 24V, and the current can be measured using a multimeter, usually ranging from 6 to 7.5 amps per panel. An example calculation is

provided, ...



WhatsApp Web

Log in to WhatsApp Web for simple, reliable and private messaging on your desktop. Send and receive messages and files with ease, all for free.

Solar Panel Calculator for System Sizing

4 Pick a panel wattage (e.g., 400-500 W). The calculator will size the DC array and compute the panel count. 5 Adjust for your goals: desired offset (% of bill), space limits, or seasonal ...



Descargar WhatsApp

Usa WhatsApp en tu navegador. Todas las funciones que te encantan: chats, llamadas, estados, compartir pantalla y más, en una pantalla más grande con la aplicación WhatsApp para iPad. Recibe



Contact Us

For catalog requests, pricing, or partnerships, please visit:
<https://kreatywny-dom.pl>

