

KREATYWNY ENERGY POLSKA

Huawei ghana solar cabinet system



Huawei ghana solar cabinet system



Huawei launches Hybrid Cooling Energy Storage System in Ghana

Recently, Huawei Digital Power proudly introduced the industry-first Hybrid Cooling Energy Storage System, the FusionSolar C& I LUNA2000-215-2S10, designed to meet the evolving demands of the

Huawei To Complete Energy Project In Ghana Which Will Be The ...

Huawei Digital Power has agreed to provide the complete solar PV and energy storage system (ESS) solution for what looks set to be the biggest project of its type in Africa so far.



Huawei launches smart Photovoltaic systems in Ghana

Huawei has launched its industrial and residential smart photovoltaic (PV) system in Ghana, marking a significant step in the development of the new era energy industry.



GHANA SMART ENERGY STORAGE

CABINET COMPANY

Ghanaian company enters energy storage project Huawei Digital Power has agreed to provide the complete solar PV and energy storage system (ESS) solution for what looks set to be the biggest ...

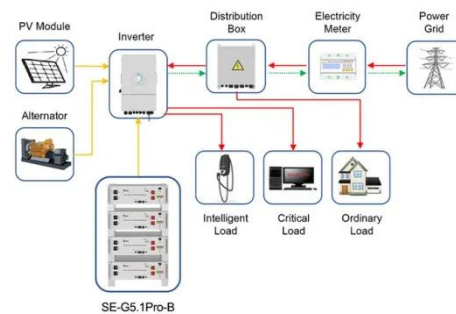


Energy Storage Equipment, Energy storage solutions, Lithium battery

Huijue Group's Home Energy Storage Solution integrates advanced lithium battery technology with solar systems. Ranging from 5kWh to 20kWh, it caters to households of varying sizes.

Huawei introduces industry-first Hybrid Cooling Energy Storage System

Huawei Digital Power has launched the FusionSolar C& I LUNA2000-215-2S10 Energy Storage System designed to meet the dynamic demands of the commercial and industrial (C& I) ...



Application scenarios of energy storage battery products

HUAWEI POWERS UP GHANA'S GREEN FUTURE WITH

Under the agreement, Huawei Digital Power will provide a complete smart PV & energy storage system (ESS) solution

for the 1 GW utility-scale PV plant and 500 MWh ESS project developed by Meinergy ...



Huawei launches innovative hybrid cooling energy storage system to

Huawei Ghana has unveiled its latest Commercial & Industrial (C& I) energy solutions, including the world's first hybrid cooling Energy Storage System (ESS), at the Huawei Ghana Partner ...



Power Conversion System

- Single-stage three-level modularization
- Multi-branch input to reduce battery series and parallels connection

Huawei powers up Ghana's green future with groundbreaking solar ...

Huawei Ghana has launched a new wave of clean energy innovations, unveiling the world's first hybrid cooling Energy Storage System (ESS) at its 2025 Partner Summit and ...

Contact Us

For catalog requests, pricing, or partnerships, please visit:
<https://kreatywny-dom.pl>

