

**KREATYWNY ENERGY POLSKA**

# Independent energy storage power station system composition diagram

*Test certification*  
CE  FC 



## Independent energy storage power station system composition diagram

---



### The entire composition of the energy storage power station

This article establishes a full life cycle cost and benefit model for independent energy storage power stations based on relevant policies, current status of the power system,

### Utility-scale battery energy storage system (BESS)

Battery storage systems are emerging as one of the potential solutions to increase power system flexibility in the presence of variable energy resources, such as solar and wind, due to their unique ...



### Independent energy storage power station system composition ...

Structure diagram of the Battery Energy Storage System (BESS), as shown in Figure 2, consists of three main systems: the power conversion system (PCS), energy storage system and

### Research on the Design of

## Independent Energy Storage Stations and ...

Based on this background, research on typical design schemes and grid-connection solutions for independent energy storage stations is of significant practical importance for the optimized design of ...



## Energy storage power station drawing explanation diagram

Battery energy storage systems (BESS) are a sub-set of energy storage systems that utilize electrochemical solutions, to transform the stored chemical energy into the

## Structure diagram of the Battery Energy Storage System [14].

Structure diagram of the Battery Energy Storage System (BESS), as shown in Figure 2, consists of three main systems: the power conversion system (PCS), energy storage system and the



## How to View and Interpret Energy Storage Station System Diagrams: ...

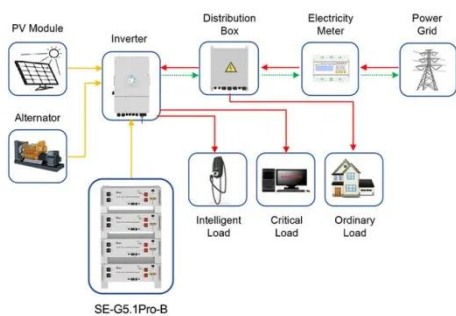
With global renewable energy capacity projected to grow 75% by 2027 according to the 2025 Global Energy



Transition Report, understanding energy storage station system diagrams has become critical.

### Energy storage power station system architecture composition

Relying on the project site of Langli energy storage station, the secondary system architecture of the energy storage station is simplified, the stability of control operation and the



Application scenarios of energy storage battery products

### AN INTRODUCTION TO BATTERY ENERGY STORAGE ...

Battery energy storage systems are installed with several hardware components and hazard-prevention features to safely and reliably charge, store, and discharge electricity.

## Chapter 3 Battery Energy Storage System

This chapter mainly introduces the system composition, grid connection and operation control methods for lithium-ion batteries and lead-carbon batteries and

other battery energy storage systems.



---

## Contact Us

For catalog requests, pricing, or partnerships, please visit:  
<https://kreatywny-dom.pl>

