

KREATYWNY ENERGY POLSKA

Is there a market for energy storage power in the eu



Is there a market for energy storage power in the eu

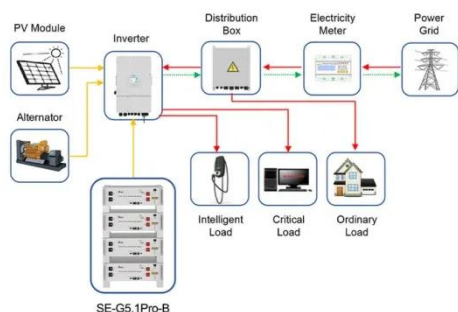
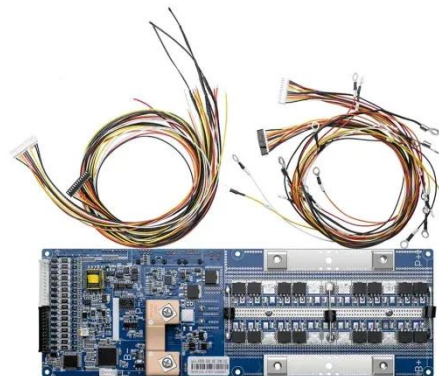


Europe Energy Storage Market Report , Industry Analysis, Size

The Europe Energy Storage Systems Market is growing at a CAGR of greater than 17.62% over the next 5 years. BYD Co. Ltd, Samsung SDI Co. Ltd, GS Yuasa Corporation, ...

The European Energy Storage Inventory: A comprehensive overview ...

The dynamics of the European energy storage market are not limited to individual major projects, but also includes significant developments in the field of home storage and commercial ...



Application scenarios of energy storage battery products

Europe Energy Storage Market Size & Share Analysis , 2035

As per the Europe energy storage market analysis, the commercial and industrial segment is projected to grow at a CAGR of 10.3% between 2026 and 2035 amid the growing need for efficient energy ...

Energy storage in Europe

Pumped hydro is the most widely used technology for energy storage in Europe and worldwide, but batteries and hydrogen have come into the spotlight over the last decade as a recent ...



European energy storage: a new multi-billion-dollar asset class

In Europe, the capacity of renewable energy sources is growing very rapidly, while traditional power plants are slowly being decommissioned. That's creating a unique new opportunity ...

EU Battery Storage Market Review 2025

In 2025, Europe's battery storage market entered a new phase of scale and maturity. With 27.1 GWh of new capacity installed, the European Union achieved its 12th consecutive record ...



Europe's power market transition and the role of energy storage

European governments have finally recognised the strategic role of energy storage. Fourteen countries have now committed to incorporating storage in

their national energy plans as ...



European Energy Storage Inventory , JRC SES

This section outlines key EU projects, initiatives, and market trends in energy storage, highlighting efforts to integrate renewables, enhance grid stability, and support the clean energy transition.

12 V 10AH



Market Analyses

The European energy storage market contracted in 2019 to 1 GWh, with a cumulative installed base of 3.4 GWh across all segments. However, the future of energy storage in 2020 in Europe remains ...

Europe Energy Briefs - Europe energy storage outlook , Enlit World

The latest edition of the European Market Monitor on Energy Storage (EMMES) reveals rapid expansion in energy storage capacity in Europe,

reaching 89GW by the end of 2024.



Contact Us

For catalog requests, pricing, or partnerships, please visit:
<https://kreatywny-dom.pl>

