

KREATYWNY ENERGY POLSKA

Large-capacity mobile energy storage container used for power station in South Ossetia



Overview

The Red Sands project will be the largest standalone BESS to reach this stage on the continent, designed to store power during off-peak hours and release it when demand is highest—providing essential grid stability and flexibility for South Africa's electricity network. South Ossetia's growing demand for flexible power solutions has turned mobile energy storage into a critical industry. From stabilizing solar farms to supporting remote infrastructure, these systems bridge gaps in energy access. Let's break down what makes a company stand out: Battery Efficiency: What is pcs-8812 liquid cooled energy storage cabinet?

PCS-8812 liquid cooled energy storage cabinet adopts liquid cooling technology with high system protection level to conduct fine temperature control for outdoor cabinet with integrated energy storage converter and battery. What are the. Adding Containerized Battery Energy Storage System (BESS) to solar, wind, EV charger, and other renewable energy applications can reduce energy costs, minimize carbon footprint, and increase energy efficiency. SOUTH OSSETIA PHOTOVOLTAIC NEW ENERGY STORAGE The Energy Storage Air-Cooled Temperature Control Unit is used to regulate the temperature. Emerging markets in Africa and Latin America are adopting mobile container solutions for rapid electrification, with typical payback periods of 3-5 years.

Large-capacity mobile energy storage container used for power sta



Energy storage container, BESS container

What is energy storage container? SCU uses standard battery modules, PCS modules, BMS, EMS, and other systems to form standard containers to build large-scale grid-side energy storage projects.

South Ossetia solar container lithium battery energy storage solution

South Ossetia's new lithium battery pack Energy storage cabinets are crucial in modern energy systems, offering versatile solutions for energy management, backup power, and renewable energy integration.



Energy Storage Power Stations in South Ossetia Current Status and

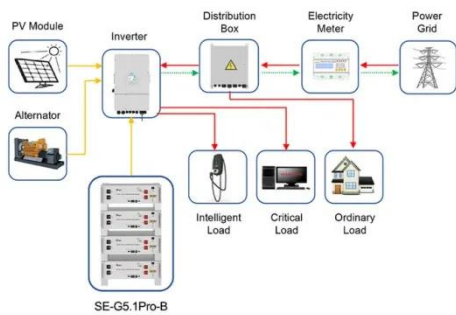
While specific data on energy storage power stations remains limited, this article explores the broader energy landscape, regional trends, and potential opportunities for storage solutions in conflict ...

South Ossetia air-cooled energy storage project

By combining cutting-edge storage technologies with smart South Ossetia Energy Storage Battery Factory Powering a Summary: South Ossetia's new energy storage battery factory marks a pivotal

...

Sample Order
UL/KC/CB/UN38.3/UL



Application scenarios of energy storage battery products

South Ossetia integrated energy storage container 5G base station

A bi-level optimization framework of capacity planning and operation costs of shared energy storage system and large-scale PV integrated 5G base stations is proposed to realize the decoupling of ...

SOUTH OSSETIA ENERGY STORAGE CABINET CONTAINER

What is a containerized energy storage system? The Containerized energy storage system refers to large lithium energy storage systems installed in sturdy, portable shipping containers, which usually ...



Top Mobile Energy Storage Companies in South Ossetia: Market

...

Summary: Discover the key players



shaping South Ossetia's mobile energy storage sector. This article ranks companies based on innovation, reliability, and market impact while exploring renewable ...

SOUTH OSSETIA ENERGY STORAGE POWER STATION

Large-scale battery energy storage power station in the Middle East Saudi Arabia is making history with the world's largest grid-scale battery energy storage project.



South Ossetia Container Energy Storage Station

The station will directly help increase the total capacity of new energy storage by approximately 20 percent in Guangdong, an economic powerhouse in South China, the company said.

SOUTH OSSETIA LITHIUM POWER STORAGE

What is the Timor-Leste solar power project?The Project involves the construction and 25-year operation of a new power plant in Manatuto, Timor-

Leste, comprising a 72 MW solar power plant co ...



Contact Us

For catalog requests, pricing, or partnerships, please visit:
<https://kreatywny-dom.pl>

