

Malawi enterprise solar battery cabinet cost performance



Overview

Next-generation thermal management systems maintain optimal operating temperatures with 40% less energy consumption, extending battery lifespan to 15+ years. Standardized plug-and-play designs have reduced installation costs from \$80/kWh to \$45/kWh since 2023. How much does a commercial energy storage cabinet cost?

The cost of a commercial energy storage cabinet can. Enter the Lilongwe photovoltaic energy storage cabinet, a game-changer that stores solar power for 24/7 use. Here are some key points: Developer Premiums: Development expenses can range from £50k/MW to £100k/MW depending on the project's attractiveness¹. Strategies for Procuring Solar PV and. Malawi's energy landscape resembles a car running on half-empty tank - occasional sputters, unpredictable performance, but immense potential under the hood.

Malawi enterprise solar battery cabinet cost performance



Malawi enterprise energy storage battery cost performance

What is the Malawi Bess project? The Malawi BESS project will guide the scale-up of BESS projects in the Consortium's participating countries. To alleviate energy poverty by 2030 and save a gigaton of ...

Malawi Commercial Energy Storage Cabinet Cost Standard

The cost of a commercial energy storage cabinet can vary significantly based on several factors, including capacity, technology type, installation requirements, and manufacturer brand.



Energy Storage Equipment, Energy storage solutions, Lithium battery

These solutions cover most commercial applications, such as electricity cost management, photovoltaic self-consumption, backup power scenarios, microgrids, and off-grid ...



Solar Energy Storage Solutions in

Malawi: Powering a Sustainable ...

From healthcare facilities to agricultural operations, Malawi solar energy storage battery systems are revolutionizing energy access. As battery prices continue dropping (12% annually since 2020), now ...

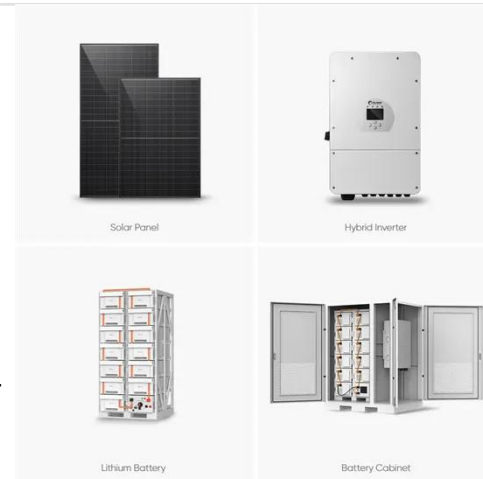


Energy Storage Battery Solutions for Malawi: Powering a Sustainable

As the nation aims to achieve 30% renewable energy by 2030, smart battery solutions will be the backbone of this transformation. The question isn't whether to adopt storage technology - it's how ...

Malawi enterprise energy storage battery cost performance

Overview Next-generation thermal management systems maintain optimal operating temperatures with 40% less energy consumption, extending battery lifespan to 15+ years. Standardized plug-and-play ...



Utility battery storage Malawi

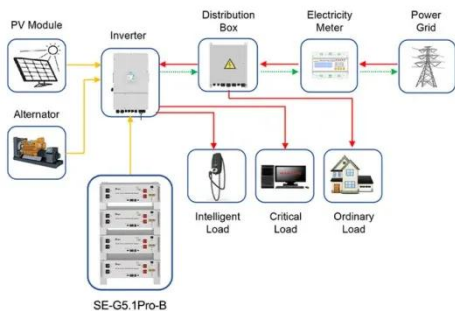
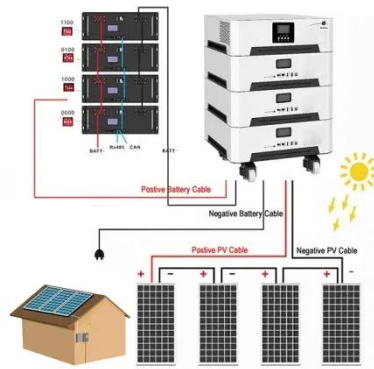
The state of the art power plant is the first utility-scale grid-connected hybrid solar and battery energy storage project



in Malawi and the largest in Sub-Saharan Africa. It comprises 52,000 bi-facial solar ...

MALAWI SOLAR BATTERY STORAGE PROJECT TO UP

This study shows that battery electricity storage systems offer enormous deployment and cost-reduction potential. By 2030, total installed costs could fall between 50% and 60% (and battery cell costs by ...



Application scenarios of energy storage battery products

Lilongwe Photovoltaic Energy Storage Cabinet: Powering Malawi's

Summary: Discover how Lilongwe photovoltaic energy storage cabinets are transforming Malawi's energy landscape. Explore their applications, technical advantages, and real-world success stories in ...

SOLARWORKS ENERGY MALAWI

Next-generation battery management systems maintain optimal operating

conditions with 45% less energy consumption, extending battery lifespan to 20+ years. Standardized plug-and-play designs ...



Contact Us

For catalog requests, pricing, or partnerships, please visit:
<https://kreatywny-dom.pl>

