

KREATYWNY ENERGY POLSKA

Marshall Islands Solar System Home Cost



Overview

Three key factors are reshaping Marshall Islands power storage module prices: As of Q3 2023, lithium-ion systems in the Marshalls average \$680-920/kWh installed. [pdf]. About SunContainer Innovations: With 15+ years in tropical solar solutions, we deliver turnkey projects from design to maintenance. Reach us via WhatsApp: +8613816583346. The islands offer beautiful ocean views and close-knit communities, but they also bring unique logistical and environmental factors that make construction more expensive than on many continental locations. This. Looking for reliable solar system manufacturers in the Marshall Islands?

This guide explores the renewable energy landscape, key challenges, and innovative solutions tailored for this unique Pacific nation. Almost all households on the outer islands, previously without electricity supply, now have Solar PV generation in the Marshall Islands.

Marshall Islands Solar System Home Cost

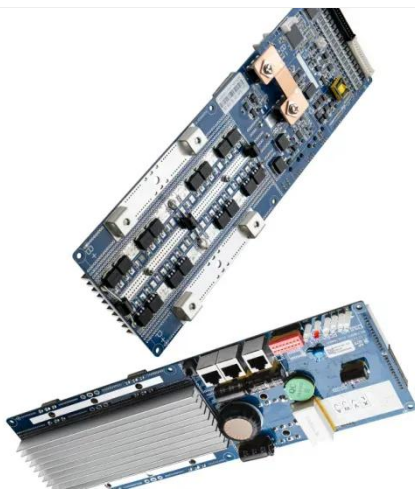


Solar panel installment plan Marshall Islands

Seamless payment process. Disbursement is directly to our solar panel partners; Free consultation and exclusive promotions with our solar panel partners; Complete installation service by our solar panel ...

WHERE TO GET SOLAR PANELS IN THE MARSHALL ISLANDS

How much does modern solar container modules cost in the marshall islands A typical 50kW solar + storage system in the Marshalls currently runs \$285,000-\$410,000 installed.



Find Solar & Battery Installers in Marshall Islands -- PV Panels

Fill out the form and we'll connect you with available, vetted installers in Marshall Islands. Expect multiple quotes, engineered scopes, and warrantied installations.

MARSHALL ISLANDS SOLAR SYSTEM

AND BATTERY COST

An off grid solar panel system with battery storage is an excellent way to do this, especially for rural and remote properties, or new builds with a sustainability focus and a green star rating.



Solar System Manufacturers in the Marshall Islands: Powering a

Looking for reliable solar system manufacturers in the Marshall Islands? This guide explores the renewable energy landscape, key challenges, and innovative solutions tailored for this unique Pacific ...

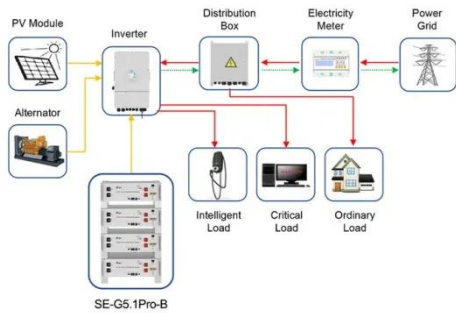
Powering Rural Marshall Islands: Rooftop Solar Solutions for

Summary: Discover how rooftop photovoltaic systems are transforming energy access in the Marshall Islands' rural communities. This guide explores solar technology adaptations, cost benefits, and real ...



Marshall Islands Photovoltaic Panel Prices Trends Costs Solar ...

Summary: Explore the latest trends in photovoltaic panel prices across the

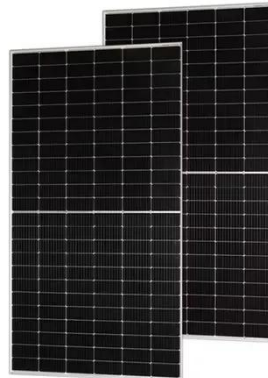


Application scenarios of energy storage battery products

Marshall Islands, including cost breakdowns, market drivers, and practical solar solutions tailored for tropical climates.

MARSHALL ISLANDS RESIDENTIAL PHOTOVOLTAIC SYSTEM

Three key factors are reshaping Marshall Islands power storage module prices: As of Q3 2023, lithium-ion systems in the Marshalls average \$680-920/kWh installed.



Understanding Home Building Costs in the Marshall Islands

This article walks through the major cost drivers, provides realistic example budgets, quotes local experts, and outlines practical steps to plan and control expenses. By the end you ...

Solar Projects

Our solar projects are intended to provide useful services to those in need, especially in remote locations such as the Marshall Islands. We have been providing solar power systems to

schools, ...



Contact Us

For catalog requests, pricing, or partnerships, please visit:
<https://kreatywny-dom.pl>

