

# National Standard Specification for Photovoltaic Panel Quality



## Overview

---

This specification aims to describe the quality level and framework conditions for solar modules made of crystalline silicon using today's technology (i. in the year of publication of the specification). The focus is on solar modules that are usually used in so-called ground. The safe and reliable installation of photovoltaic (PV) solar energy systems and their integration with the nation's electric grid requires timely development of the foundational codes and standards governing solar deployment. Technological advances, new business opportunities, and legislative and. Blocking diodes (Figure 1) are placed in the positive line between modules and the battery bank to prevent the battery current from reversing its flow from the battery bank to the array at night or during cloudy weather. Department of Energy Office of Energy Efficiency & Renewable Energy Operated by the Alliance for Sustainable Energy, LLC. NREL is a. Solar panels are tested for performance in Standard Test Conditions (STC) or similar laboratory conditions across the solar industry.

## National Standard Specification for Photovoltaic Panel Quality

---



### VDE SPEC 90038-1 V1.1 (en) "Solar Module Quality Spec"

This specification aims to describe the quality level and framework conditions for solar modules made of crystalline silicon using today's technology (i.e. in the year of publication of the specification).

### Codes and Standards

The safe and reliable installation of photovoltaic (PV) solar energy systems and their integration with the nation's electric grid requires timely development of the foundational codes and standards governing ...



### Photovoltaic Module Qualification Plus Testing

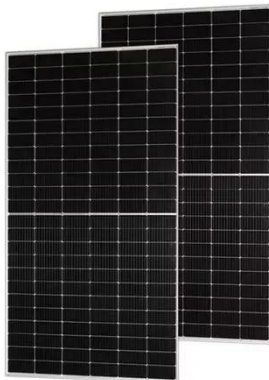
This report summarizes some of the test methods that are in the midst of being adopted as standards and some that are being prepared for submission into the standards process. These "Qualification ...



### Understanding Quality Standards

## for Photovoltaic Systems: A

This comprehensive guide covers the photovoltaic effect, the importance of quality standards, international and regional norms, and the impact on solar technology innovation.

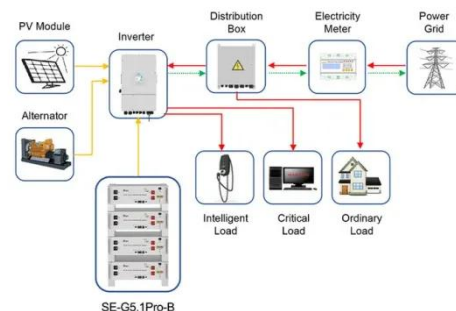


## Photovoltaics: Safety

The International Residential Code (IRC) and the International Energy Conservation Code (IECC) reference related standards that apply if installing, respectively, a residential or commercial PV system

## Solar Photovoltaic: SPECIFICATION, CHECKLIST AND GUIDE

The RERH specifications and checklists take a builder and a project design team through the steps of assessing a home's solar resource potential and defining the minimum structural and system ...



Application scenarios of energy storage battery products

## Solar Panel Standards and Certification

Testing and certification of photovoltaic components: determines if solar panel components like inverters, junction boxes, and connectors adhere to safety

and quality standards.

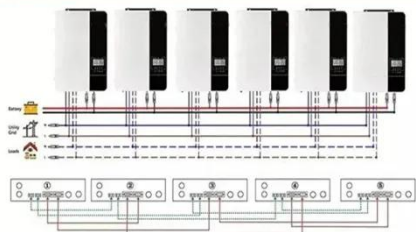


## Understanding PV System Standards, Ratings, and ...

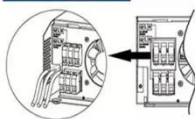
Learn about PV module standards, ratings, and test conditions, ...



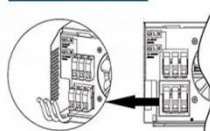
Parallel (Parallel operation up to 6 unit (only with battery connected))



AC input wires



AC output wires



## Important Certifications and Standards for Solar Panels

Dive into this article to understand the importance of these certifications and standards, and why you should factor them into your solar panel purchase decision.

## What is the national standard for solar panels? , NenPower

The national standard for solar panels refers to established guidelines and requirements that dictate the performance, safety, and quality of solar

photovoltaic (PV) systems.



## Understanding PV System Standards, Ratings, and Test Conditions

Learn about PV module standards, ratings, and test conditions, which are essential for understanding the quality and performance of photovoltaic systems.

## Contact Us

For catalog requests, pricing, or partnerships, please visit:  
<https://kreatywny-dom.pl>

