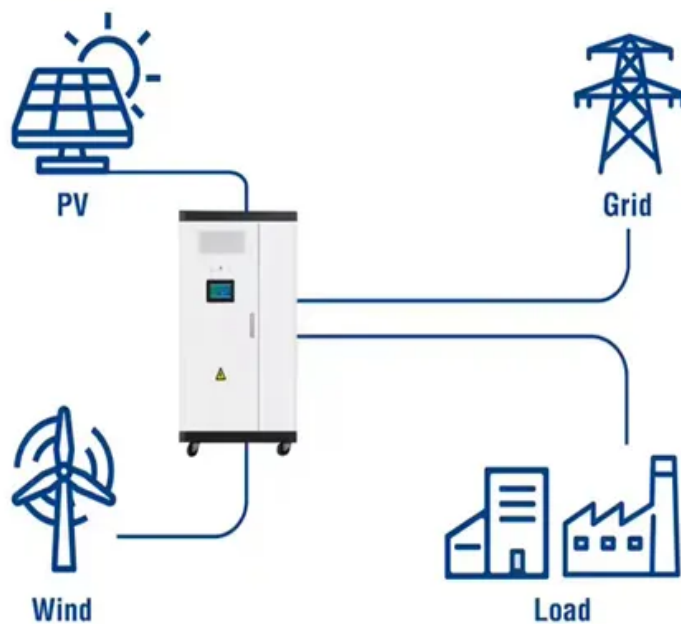


# Newly listed funds with photovoltaic energy storage themes

## Utility-Scale ESS solutions



## Overview

---

Research-backed ranking and directory of leading renewable energy private equity investors—key themes, tiers, strategies, and outlook. Solar Energy ETFs invest in stocks of companies involved in providing goods and services exclusively to the solar energy industry. See more Click on the tabs below to see more information on Solar Energy ETFs, including historical performance, dividends, holdings, expense ratios, technical. Energy storage systems are increasingly in demand to increase the effectiveness of solar power arrays, with the Energy Information Administration estimating in February that new utility-scale electric-generating capacity on the U. This ETF had about 35 holdings as of late 2025, led by the following five: The ETF offers fairly broad diversification across sectors and. Here are the leading Renewable Energy ETFs poised to make a significant difference in 2025 and beyond, combining financial potential with profound environmental impact: This table serves as a critical navigational tool, providing a concise, easily scannable overview of key metrics for each featured. Major US tech companies, including Microsoft MSFT, Google GOOGL, Amazon. Nuclear remains politically supported in the US, with key tax provisions. Explore Impartoo's curated list of clean energy ETFs powering the global shift to renewables. To get a unified look at every strategy we track, visit our Top 10.

## Newly listed funds with photovoltaic energy storage themes

---

### 6 Clean Energy Funds to Consider



Against this backdrop, we present six exchange-traded funds that span the clean energy spectrum--from broad-based funds to niche plays in solar, wind, and nuclear. All may be of interest to

---

### Ranking of new photovoltaic energy storage funds

The rankings of top 100 photovoltaic companies in the world hosted jointly by Century New Energy Network (CNE) and Photovoltaic Brand Lab (PVBL), which is supported



---

### Solar Energy ETF List

Click to see more information on Solar Energy ETFs including historical performance, dividends, holdings, expense ratios, technicals and more.



---

### The 5 Best Renewable Energy ETFs for Maximum Impact ...

This comprehensive guide is designed to illuminate the leading renewable energy Exchange-Traded Funds (ETFs) that can help investors maximize their impact investing goals.

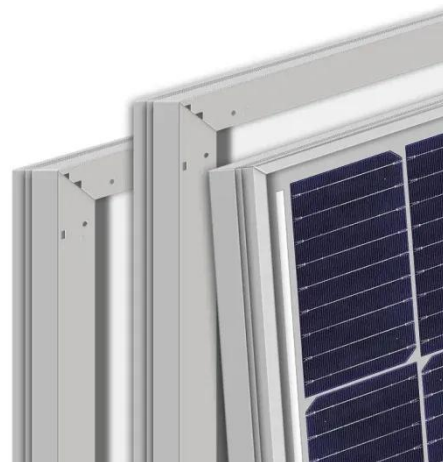


### **Top 50 Renewable Energy Private Equity Firms (2026)**

Operates one of the world's largest renewable power and decarbonization platforms across hydro, wind, solar, storage, and distributed energy. Cycle-tested infrastructure investor with ...

### **iShares Energy Storage & Materials ETF , IBAT**

Complement your portfolio: Add to a portfolio as a complement for energy and materials exposure.



### **7 Best Clean Energy ETFs to Consider in 2026**

This comprehensive guide is designed to illuminate the leading renewable energy Exchange-Traded Funds (ETFs) that can help investors ...



2MW / 5MWh  
Customizable

## 7 Best Clean Energy ETFs to Consider in 2026

Clean energy exchange-traded funds (ETFs) invest in companies tied to renewable and low-carbon technologies like wind, solar, hydrogen, battery storage, and electric vehicles.



## 5 top clean energy ETFs 2025: funds powering the future

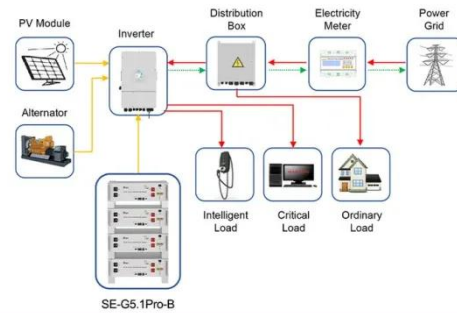
Here are five clean energy ETFs available on InvestEngine that capture different angles of the transition, from broad, diversified funds to more focused plays on solar, hydrogen, and carbon. ...



## 7 Energy Storage Stocks to Invest In , Investing , U.S. News

Energy storage systems are increasingly in demand to increase the effectiveness of solar power arrays. The landmark tax-and-spending legislation signed into law

by President Donald Trump ...



Application scenarios of energy storage battery products



## Top 10 Clean Energy ETFs 2026: Best Renewable Funds

Compare the best clean energy ETFs in 2026 across solar, wind, batteries, and grid. See expense ratios, yields, AUM, and risk to pick low-cost renewable funds.

## Contact Us

For catalog requests, pricing, or partnerships, please visit:  
<https://kreatywny-dom.pl>

