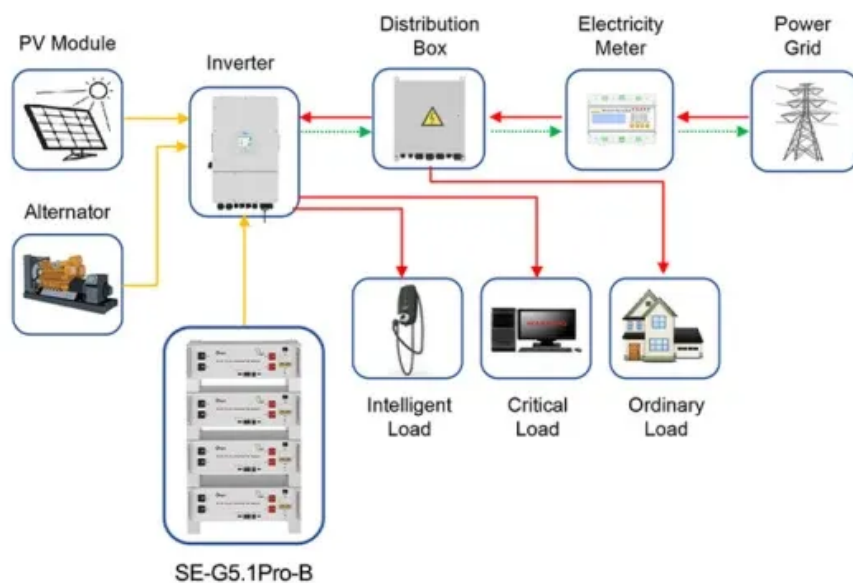


# Off-grid solar container purchase contract 100kW



**Application scenarios of energy storage battery products**



## Off-grid solar container purchase contract 100kW

---



### 20ft Mobile Solar Container 100KW , High-Efficiency Grid-Tied PV

Powered by premium 610W panels, the 100KW Mobile Solar Container from HighJoule delivers maximum energy density in a compact 20ft format. It's optimized for grid-tied setups requiring

...

### 100kW Off Grid solar system (115.2kWh)

A 100kW Off-Grid Solar System is a versatile and powerful solution with numerous applications. In this article, we will explore some of the key use cases for a 100kW Off-Grid Solar System and the ...



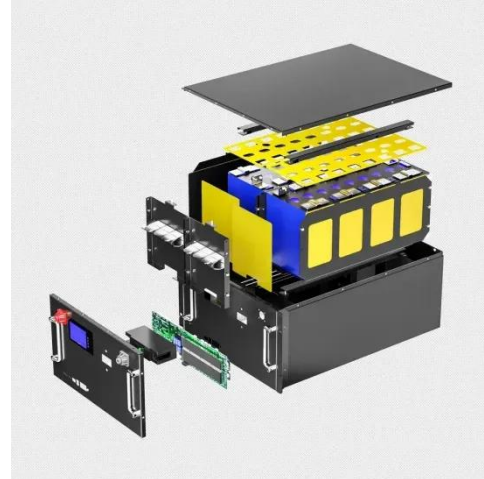
### Intech Energy Container

Quick setup and installation -- fully off-grid and ready to operate in no time. Custom configurations based on your specific needs -- including options such as water purification, pump systems, or

...

## Solar Options

Now you have the option to go fully off grid with a few other add-ons, directly from Bob's Containers. Off-grid capabilities let you live anywhere, unencumbered by power connections and unaffected by ...



### **Container Energy Storage 100kw Solar Inverter, 215kwh lifepo4 battery**

- Empower your business with a 100KW solar system that captures natural sunlight and converts it into clean, sustainable energy. - Benefit from a high-capacity 200KWH LiFePO4 battery, delivering ...

### **WHC 100KW Off-grid Solar Power System 215Kwh Solar Energy ...**

Manufacturer specializing in the solar field for more than 16 years, including solar batteries, solar Inverters, solar panels, solar controllers, solar street lights and solar water pump etc.



### **100kVA 100kW Solar Power Plant And Price**

We have seen an immediate reduction in



our energy bills and a change in our power consumption patterns since we installed the PVMARS off-grid solar power system.

---

### **100Kva 100Kw Photovoltaic Concentrated Container Home Grid Power Solar**

What is the difference between on-grid and off-grid? On-Grid Systems tie directly to your utility grid, selling an alternative source of energy in addition to what your utility company provides. Off-grid ...



---

### **Container Commercial Panel Power off Grid Solar System 100KW ...**

For the products, Each set solar power system has power on& off test 100 times per hour. Each step of production is under strict quality control. Our products are qualified with CE, ROHS, ISO, SGS ...

---

### **100kW x 215kWh Energy Storage Cabinet**

With its balance of efficiency, safety, and adaptability, the MEG 100KW x 215kWh

Storage Cabinet empowers users to maximize renewable energy utilization, ensure grid stability, and secure ...



---

## Contact Us

---

For catalog requests, pricing, or partnerships, please visit:  
<https://kreatywny-dom.pl>

