

KREATYWNY ENERGY POLSKA

Photovoltaic home appliance inverter



Overview

A solar inverter is the key device that makes your home backup system actually usable. In this guide, we have researched, reviewed, and. They're responsible for converting the DC electricity produced by solar panels into the AC electricity that most home appliances use. Deals are selected by the CNET Group commerce team, and may be unrelated to this article. This article reviews five strong contenders, each offering distinct strengths—from high-wattage AC output and fast solar charging to clear monitoring and remote control.

Photovoltaic home appliance inverter



Best Solar Inverters for Homes 2026

Select the best solar inverter for your home solar system with our in-depth guide. Explore inverter types, pros, cons, and FAQs for informed decision-making.

10 Best Solar Inverters (Winter 2026) - Reviews & Buying Guide

Solar inverters can convert energy generated by panels and stored by batteries from DC to usable AC. In this article, you can find the best solar inverters!



Best Solar Inverter for Home: A Complete Guide 2025

Looking for the best solar inverter for home use? Discover types, benefits, costs, and expert tips to choose the perfect PV inverter for your solar power system.



7 Best Solar Inverters for Home Power Backup (2026 Guide)

Solar inverters ensure uninterrupted backup by intelligently switching between grid power, solar energy, and batteries. When the grid fails, the inverter responds instantly--keeping lights, fans, ...



best solar battery inverter generator for home appliances

The key benefits of using solar battery inverter generators for home appliances include energy independence, cost savings, environmental sustainability, and reliability during outages.

9 Best Solar Inverters: In-Detail Reviews (Winter 2026)

Solar Inverters Classification
 Different Types of Solar Inverters
 Features to Consider Before You Buy
 Our Verdict
 There are two different types of solar inverters available: string inverters and microinverters. String inverters, also known as centralized inverters, connect all your solar panels in series. In this case, your system is only as productive as your least productive panel. So, if you have a single panel that gets some shade, it can bring down the ef See more on propaneva 4.9/5
 Published: Brand: AIMS Power 6000w Pure Sine Inverter Charger
 Images of Photovoltaic Home



Appliance InverterHome Solar
InverterInverter Used In Solar
PanelPhotovoltaic InverterResidential
Solar Power Systems InverterResidential
Solar InverterDomestic Solar
InvertersInverter For Solar Power
SystemSolar Panel Inverter HomeHome
Solar Power InverterPure Sine Wave
Solar Energy Inverter 5kw Solar Inverter
48V for Home ?60Hz?Solar Power
Inverter 1000W-5000W Pure Sine DC12V
/ 24V to AC220V Solar Inverters , Energy
Delivery , Texas Solar GroupHome
Appliance Pure Sine Wave with Pure
Copper Transformer Based Solar Home
Appliance / Office Equipment / Solar
System 5kw 5.5kw High Solar Inverter
with Various Communication Ports and
Remote Controls Choosing the Best Solar
Inverters for Your Home - Fritts
SolarHybrid 12VDC on/off Grid Tie Solar
Power Inverter 700W with PWM Solar
Low Frequency Hybrid Inverter 24V
3000W with Home Appliance Solar 700W
12V 24VDC with High Quality Inverters
DC to AC Hybrid Solar Household
Appliance Solar Inverter with Inbuilt
MPPT PV Solar Charger Complete Set All
in One Hybrid Solar Power Inverter 5kw
on off Grid See allHouse & Beyond

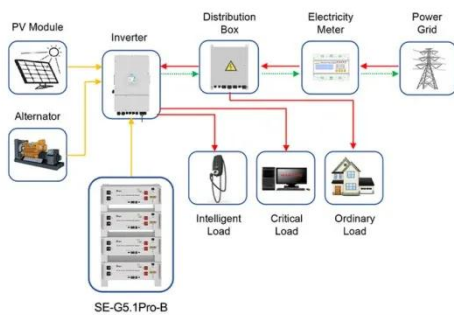
10 Best Solar Inverters (Winter 2026) - Reviews & Buying Guide

4.5/5Published: Brand: WZRELB DC to AC
Pure Sine Wave InverterMissing: home
applianceMust include: home
applianceWZRELB DC to AC Pure Sine
Wave Inverter. Features. Type: off-grid.
Wattage: 2500W ...Giandel 600W Pure
Sine Wave Inverter. Features. Type: off-
grid. Wattage: 600W continuous,

...Enphase IQ7-60-2-US. Check price. Walmart. Features. Type: grid-tie. Wattage: 235W-350W. ...AMPINVT Pure Sine Wave Power Inverter FT-12V3000W. Features. Type: off-grid. Wattage: ...SolarEdge SE3800H HD Wave Grid Tied Inverter. Features. Type: grid-tie. Wattage: 3300W ...See full list on houseandbeyond CNET

Best Solar Inverters of 2025 - CNET

Every solar system needs some kind of inverter to convert sunlight into usable electricity. CNET experts have compared the most popular solar inverters' ...



Application scenarios of energy storage battery products

9 Best Solar Inverters: In-Detail Reviews (Winter 2026)

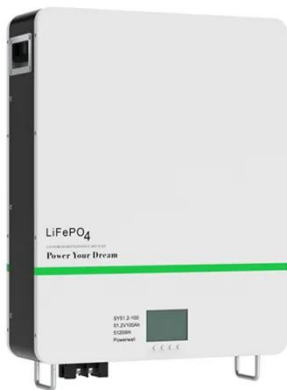
Are you looking for the best solar inverter for your system? We gathered and reviewed eight top models for any possible needs. Check them out!

Best Solar Inverters of 2025

Every solar system needs some kind of inverter to convert sunlight into usable electricity. CNET experts have compared the most popular solar inverters' specs, warranties, prices and more.



51.2V 300AH



Best Inverters for Photovoltaic Systems: Top Picks for Home and on ...

Selecting the right inverter is essential for a reliable photovoltaic (PV) setup. This article reviews five strong contenders, each offering distinct strengths--from high-wattage AC output and ...

Off Grid Solar Inverters: Complete 2025 Buyer's Guide & Installation Tips

Complete guide to off-grid solar inverters. Compare top brands, sizing guides, installation tips, and expert recommendations for 2025. Get reliable off-grid power.



Best Solar Inverters for Homeowners in 2026

Solar inverters are key to making the electricity generated by solar panels usable in your home. Here are some of the best options on the market today.

Contact Us

For catalog requests, pricing, or partnerships, please visit:
<https://kreatywny-dom.pl>

