

**KREATYWNY ENERGY POLSKA**

# **Photovoltaic panel circuit diagram teaching diagram**



## Photovoltaic panel circuit diagram teaching diagram

---

### ESS



### How to read the circuit diagram of solar panels , NenPower

Familiarity with these symbols is necessary for accurate interpretation of any solar panel circuit diagram. Common symbols seen in these diagrams include circles representing batteries, ...

---

### Solar Panel Wiring Diagram for All Setups [+ PDFs] - Solartap

With any solar DIY project, you need to know how your components connect. Read on to learn how to create a solar panel wiring diagram and see some examples.



---

### The Ultimate Solar Panel System Schematic Diagram: A ...

Discover the components and layout of a solar panel system through a detailed schematic diagram. Learn how solar panels, inverters, batteries, and other essential components work together to ...

## The Complete Guide to Solar Panel Wiring Diagrams

Read on to find out more about solar panel connection diagrams and how to wire PV modules to achieve the best performance based on your unique installation requirements.



## How to Draw an Electrical Diagram for a Photovoltaic Installation and

In this article, we will discuss how to draw a PV installation diagram and the protections that should be included, along with the symbols used to represent them.

## A Comprehensive Guide to Understanding PV Solar Panel Wiring ...

Learn how to wire a PV solar panel system with a comprehensive wiring diagram. Find step-by-step instructions and diagrams to help you connect your solar panels, inverters, batteries, and charge ...



## Pv Panel Circuit Diagram

While it might seem intimidating to install and set up a solar panel system,

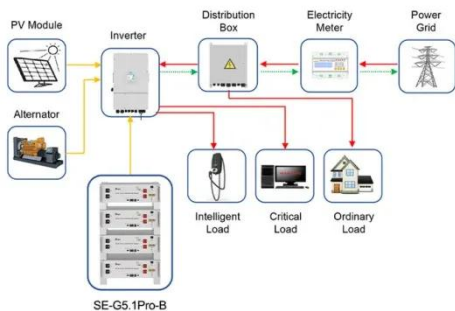
**114KWh ESS**



understanding the circuit diagrams of a photovoltaic (PV) panel can be incredibly helpful. This article will explain the ...

**Schematic diagram of photovoltaic panel circuit layout**

The wiring diagram outlines the layout and connections for the panels, inverters, batteries, and other components in a solar power system. It provides a visual representation of how ...



Application scenarios of energy storage battery products

**A Clear and Simple Solar Panel Circuit Diagram for Easy Understanding**

Learn about solar panel circuit diagrams and how they work to convert sunlight into electricity using photovoltaic cells. Explore wiring and components needed for a solar system.

**Photovoltaic panel circuit diagram design method**

There are several ways to create your own solar panel wiring diagram -- you

can draw it out on paper, print out an existing diagram and mock it up with a pen to fit your liking, or design it from scratch ...



---

## Contact Us

---

For catalog requests, pricing, or partnerships, please visit:  
<https://kreatywny-dom.pl>

