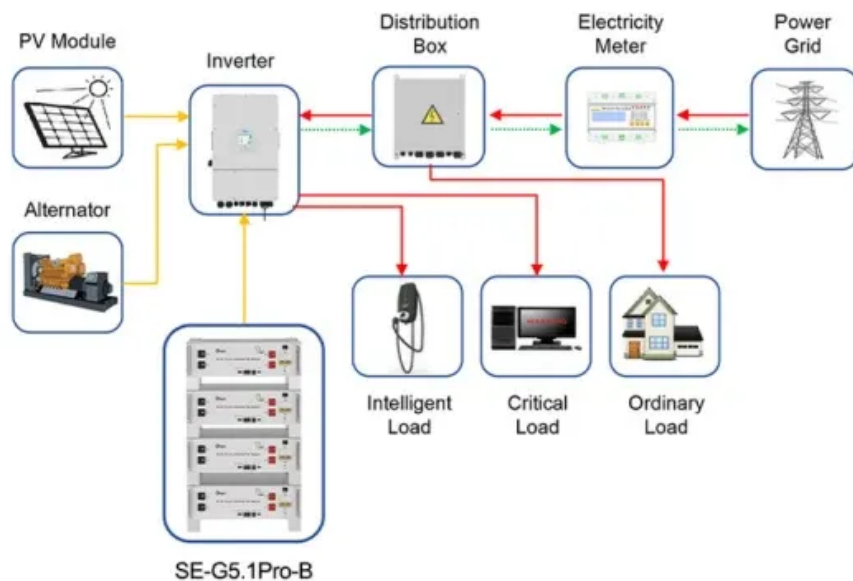


Quality of Off-Grid Solar Container Hybrid Products for Subways



Application scenarios of energy storage battery products

Overview

By combining technological, operational, and policy perspectives, this review identifies current challenges and future directions for developing sustainable, resilient, and economically viable HRES that can accelerate equitable electrification in remote areas. Off-grid solar storage systems are leading this shift, delivering reliable and clean power to locations worldwide. Among the most scalable and innovative solutions are containerized solar battery storage units, which integrate power generation, storage, and management into a single, ready-to-deploy. As global demand for stable electricity in remote areas (islands, mining sites, bases) surges, traditional diesel generators—plagued by high fuel costs (0. They are intended for areas where the electricity supply. What is a MOBIPOWER HYBRID Containerized Clean Power system?

MOBIPOWER HYBRID Containerized Clean Power is Mobismart's high-capacity autonomous power solution, integrating solar panels, hydrogen fuel cell, and large-scale battery energy storage within a weatherproof shipping container.

Quality of Off-Grid Solar Container Hybrid Products for Subways

Our Lifepo4 batteries can be connected in parallels and in series for larger capacity and voltage.



Hybrid Solar Container Power Systems

Hybrid solar container power systems are modular and containerized energy systems that combine solar photovoltaics, battery energy storage, and other power sources, such as diesel ...

MOBIPOWER Battery Energy Storage Systems , Off-Grid Solar ...

MOBIPOWER hybrid clean power containers combine battery energy storage systems with off-grid solar containers for remote industrial sites in Canada & USA.



Off Grid Container Power Systems , Hybrid Solar Solutions

Successful deployments in Romanian mines demonstrate 60% fuel cost reduction and resilience in extreme environments, establishing MEOX as a benchmark solution for off-grid industrial container ...

Hybrid Solar Container Power Systems , Alternate Energy Technologies

Our Hybrid Solar Container offers unmatched scalability and precision for operational needs, making it an ideal choice for army bases, disaster relief zones, and remote off-grid requirements.

...



80kWh Havana Off-Grid Solar Container Used in Subway Stations

Among the innovative solutions paving the way forward, solar energy containers stand out as a beacon of off-grid power excellence. In this comprehensive guide, we delve into the workings, applications, and ...

Hybrid Renewable Energy Systems for Off-Grid Electrification: A

The review reveals that feasible off-grid systems require an integrative approach comprising hybrid storage solutions (e.g., battery-hydrogen or battery-CAES configurations), hybrid ...



UNLOCKING OFF-GRID POWER: THE ULTIMATE GUIDE TO SOLAR ...

Among the innovative solutions paving the way forward, solar energy containers

stand out as a beacon of off-grid power excellence. In this comprehensive guide, we delve into the ...



Off-Grid Solar Storage Systems: Containerized Solutions for Reliable

Explore the benefits and technology behind containerized off-grid solar storage systems. Learn how these scalable, cost-efficient solutions provide reliable power and energy independence ...



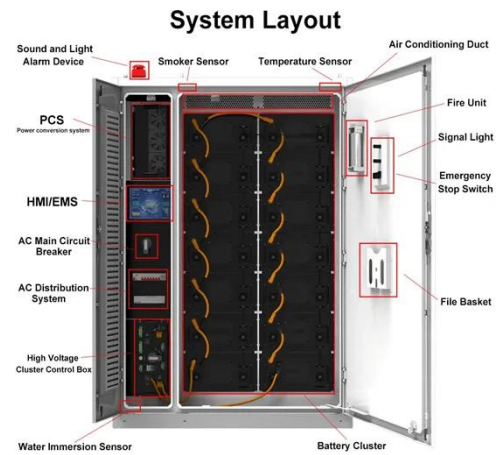
Mobile Solar Power Containers: Off-Grid Energy Anywhere

Designed for rapid deployment and all-terrain applications, this self-contained solar system delivers reliable off-grid power to areas where conventional infrastructure is limited, ...

Off-Grid Container: Portable Power Solutions for ...

With integrated solar panels and battery storage, Off-Grid Container help you do

exactly that--without compromising performance.



Contact Us

For catalog requests, pricing, or partnerships, please visit:
<https://kreatywny-dom.pl>

