

Ranking of domestic solar energy storage container brands



Overview

The article will mainly explore the top 10 energy storage manufacturers in USA including Tesla, Enphase Energy, Fluence Energy, GE Vernova, Powin Energy, NextEra Energy, Wärtsilä, Primus Power, ESS INC. Summary: Discover the leading energy storage container manufacturers reshaping power solutions across industries. This guide compares technical specs, application scenarios, and market trends while revealing 2024's most innovative brands. A quality solar installer will. Including Tesla, GE and Enphase, this week's Top 10 runs through the leading energy storage companies around the world that are revolutionising the space Whether it be energy that powers smartphones or even fuelling entire cities, energy storage solutions support infrastructure that acts as a. In the US energy storage market, some excellent energy storage manufacturers with their technical advantages and strong market influence have occupied an important position in the energy storage industry. For your convenience, we have compiled a list of the top-ranking companies specializing in energy storage. [pdf] With the Caribbean Development Bank's new \$500 million storage fund, Haiti could.

Ranking of domestic solar energy storage container brands



Top Energy Storage Companies

Eenovate Technology
Instant on
Leoch Battery Corp.
Mpinarada
Black & Veatch
Bloom Energy
E-On Batteries
NextEra Energy
Regent Power
Toshiba
IO's innovative portable energy storage solution with a capacity of 5 kilowatt-hours is called IO-5M. It is intended for use during power cuts in multiple applications, ranging from domestic appliances (like fridges and air conditioning units) to medical devices (including continuous positive airway pressure machines and oxygen concentrators). The See more on list.solarlpsolar

DOMESTIC ENERGY STORAGE VEHICLE BRAND RANKING

The top five companies in global energy storage cell shipments for 2024 were: CATL, EVE Energy, BYD, Hithium Energy Storage, and CALB. The top themes for the year were: stability, market shift, and key ...

Top 10 energy storage container brands ranking

In 2019, among new operational electrochemical energy storage projects

in China, the top 10 energy storage system integrators in terms of installed capacity were Sungrow, CLOU

...



Efficient Higher Revenue

- Max. Efficiency 97.5%
- Max. PV Input Voltage 600V
- 150% Peak Output Power
- 2 MPPT Trackers, 150% DC Input Oversizing
- Max. PV Input Current 15A, Compatible with High Power Modules

Intelligent Simple O&M

- IP66 Protection Degree: support outdoor installation
- Smart I-V Curve Diagnosis Function: locates PV string faults accurately and automatically detect faults
- DC & AC Type II SPD prevent lightning damage
- Battery Reverse Connection Protection

Flexible Abundant Configuration

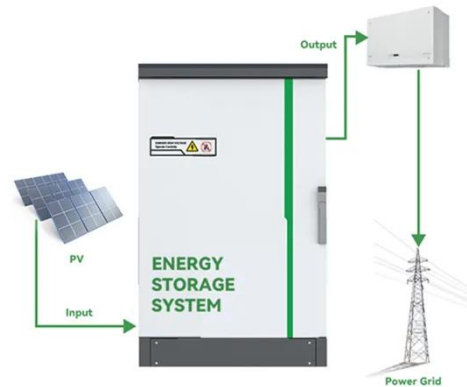
- Plug & Play, EPS Switching Under 30ms
- Compatible with Lead-acid and Lithium Batteries
- Max. 6 Units Inverters Parallel
- AFCI Function (Optional): when an arc fault is detected the inverter immediately stops operation

2025 Top 20 Global Solar Energy Storage Brands

On J, the Photovoltaic Brand Lab (PVBL) unveiled its annual ranking of the world's leading solar energy storage solution providers at the 10th Century Photovoltaic Conference in

Top Energy Storage Companies

Find the most complete and detailed compilation of the best energy storage companies. The catalogue consists of over 40 top providers of energy storage solutions.



Top 10 energy storage manufacturers in USA

The article will mainly explore the top 10 energy storage manufacturers in USA including Tesla, Enphase Energy, Fluence Energy, GE Vernova, Powin

Energy, NextEra Energy, Wärtsilä, Primus Power, ESS ...



Top Energy Storage Container Manufacturers in 2024: Industry ...

As renewable energy adoption skyrockets (we're talking 30% annual growth in solar/wind installations), these steel-clad marvels have become the Swiss Army knives of electricity management.



Top 10 Energy Storage Container Brands in 2024: Key Players

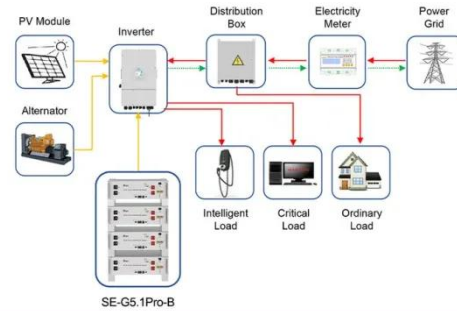
Summary: Discover the leading energy storage container manufacturers reshaping power solutions across industries. This guide compares technical specs, application scenarios, and market trends ...



RANKING OF ENERGY STORAGE CONTAINER MANUFACTURERS

This roundup pulls back the curtain on the top 5--Tesla's scaling like a

overcaffeinated startup, Sungrow's nailing the mid-sized sweet spot, Fluence's AI is basically a energy storage genius, ...



Application scenarios of energy storage battery products



Top 10: Energy Storage Companies , Energy Magazine

In this week's Top 10, Energy Digital takes a deep dive into energy storage and profile the world's leading companies in this space who are leading the charge towards a more sustainable ...

DOMESTIC ENERGY STORAGE VEHICLE BRAND RANKING

The top five companies in global energy storage cell shipments for 2024 were: CATL, EVE Energy, BYD, Hithium Energy Storage, and CALB. The top themes for the year were: stability, market shift, and key ...



TOP 10 RANKINGS OF DOMESTIC PHOTOVOLTAIC SOLAR ...

orange brands are redefining how we harness solar energy. With the global

energy storage as cross-sector new players shuffling the ranking. Tongwei extended its pr



Contact Us

For catalog requests, pricing, or partnerships, please visit:
<https://kreatywny-dom.pl>

