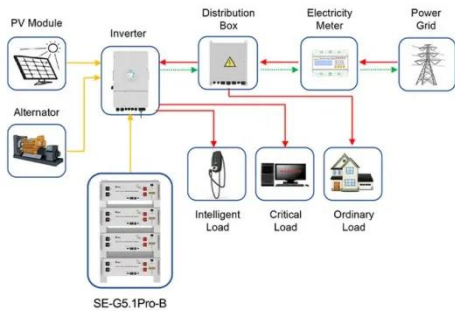


KREATYWNY ENERGY POLSKA

Secretary of energy history



Secretary of energy history



Application scenarios of energy storage battery products

Secretaries of Energy

The Secretary of Energy determines major energy policies and planning, and acts as the Department's main spokesperson. He or she ensures efficient communication and working relationships with ...

U.S. Department of Energy

The Department of Energy is a United States executive department established in 1977. The department was formed to address energy challenges using scientific solutions.



Secretary of Energy

The energy secretary and the department originally focused on energy production and regulation. The emphasis soon shifted to developing technology for better and more efficient energy sources, as well ...

United States Secretary of Energy

Established on Aug, through the US Department of Energy Organization Act, the DOE encompasses a wide range of responsibilities, including managing the nation's energy network, ...



Chris Wright , Department of Energy

As Secretary of Energy, Chris is focused on unleashing American energy dominance, accelerating innovation and advancing all energy sources that are affordable, reliable and secure for the American ...

Who Is U.S. Secretary of Energy Chris Wright? , Shale ...

Explore the background, priorities, and vision of U.S. Secretary of Energy Chris Wright as he reshapes American energy policy.



Chris Wright

Christopher Allen Wright (born Janu [1][2] is an American businessman and government official serving as the 17th United States secretary of energy since February 2025.



Contact Us

For catalog requests, pricing, or partnerships, please visit:
<https://kreatywny-dom.pl>

