

KREATYWNY ENERGY POLSKA

Solar container communication station hybrid energy dust prevention device



Solar container communication station hybrid energy dust preventi



Domestic solar container communication station hybrid ...

Domestic solar container communication station hybrid energy equipment Why should you choose a modular solar power container? Go big with our modular design for easy additional solar power ...

The impact of hybrid energy of solar container ...

The impact of hybrid energy of solar container communication stations on residential buildings Can hybrid energy storage systems improve grid safety and stability? Assessed the integration of hybrid ...



Dust mitigation methods and multi-criteria decision-making ...

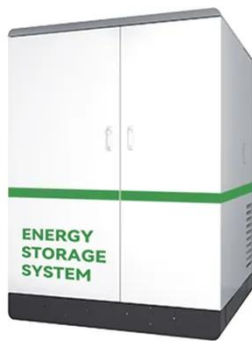
This review consolidates four decades of research (1983-2024) on dust mitigation for photovoltaic systems, categorizing strategies into four key areas: preventive measures, dust ...



Modular Solar Power Station

Containers in Microgrid and Hybrid Energy

In hybrid energy systems, modular solar power station containers are commonly paired with energy storage systems, diesel generators, or wind power units. The containerized format ...



Dust prevention design of industrial switches in photovoltaic ...

At the same time, photovoltaic power station equipment has a wide distribution range, long network communication links, and industrial switches need to operate continuously for a long ...

Self-Powered Autonomous Electrostatic Dust Removal for Solar ...

...

An autonomous dust removal system for solar panels, powered by a wind-driven rotary electret generator is proposed. The system has the advantages of low cost, simple structure, and ...



Hybrid Energy System for Intelligent Outdoor Base Stations

Detailed introduction HJ-SG-R01 series communication container station is a



modular large-scale outdoor base station specially designed to meet the needs of large-capacity and high-efficiency ...

Integrated Solar-Wind Power Container for Communications

This large-capacity, modular outdoor base station seamlessly integrates photovoltaic, wind power, and energy storage to provide a stable DC48V power supply and optical distribution. Perfect for ...



Hybrid Microgrid Technology Platform , BoxPower

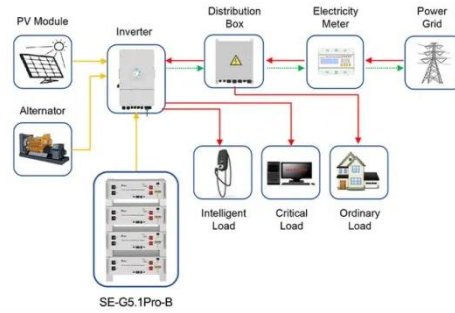
BoxPower's hybrid microgrid technology combines solar, battery, and backup power into a modular platform designed for remote and resilient energy.



BASE STATION COMMUNICATION ENERGY STORAGE

What is the hybrid energy storage ESS for communication base stations This solution utilizes Huijue's self-developed

intelligent hybrid energy control system,
integrating photovoltaic power
generation, ...



Application scenarios of energy storage battery products

Contact Us

For catalog requests, pricing, or partnerships, please visit:
<https://kreatywny-dom.pl>

