

KREATYWNY ENERGY POLSKA

Solar panels to power generation system



Solar panels to power generation system



How Solar Panels Generate Electricity: A Comprehensive Guide

Solar panels are devices designed to convert sunlight into electrical energy. They are composed of numerous solar cells made of semiconductor materials, typically silicon, which capture ...

Photovoltaic system

A grid-connected photovoltaic system, or grid-connected PV system is an electricity generating solar PV power system that is connected to the utility grid. A grid-connected PV system consists of solar ...

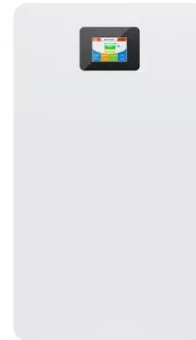


Solar Energy - SEIA

Solar power is energy from the sun that is converted into thermal or electrical energy. Solar energy is the cleanest and most abundant renewable energy source available, and the U.S. has some of the ...

How does solar power work?

Solar PV panels generate electricity, as described above, while solar thermal panels generate heat. While the energy source is the same - the sun - the technology in each system is different.



To lower electric bills, consumers quietly install DIY solar

Plug-in solar has remained in the shadows because of a lack of safety standards and often costly requirements imposed by utilities, but that's changing.

Solar explained

People have used the sun's rays (solar radiation) for thousands of years for warmth and to dry meat, fruit, and grains. Over time, people developed technologies to collect solar energy for heat and to ...



Understanding Solar Photovoltaic (PV) Power Generation

Solar photovoltaic (PV) power generation is the process of converting energy from the sun into electricity using solar panels. Solar panels, also called PV

panels, are combined into arrays in a ...



Homeowner's Guide to Solar , Department of Energy

When it comes to installing solar, our resources can help you determine the best options.



The 6 Best Solar Generators of 2026

In the last five years or so, portable fuel-powered generators and battery-based power stations have become increasingly essential in extreme weather. But power stations (i.e., solar ...

Solar energy , Definition, Uses, Examples, Advantages, & Facts

Solar energy is radiation from the Sun that is capable of producing heat, causing chemical reactions, or generating electricity. The total amount

of solar energy incident on Earth is ...



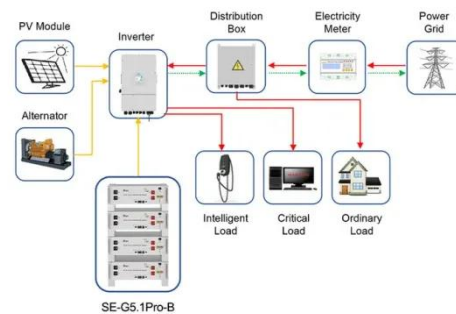
Solar Panels for Home in 2026 , Solar

Solar panels work through the photovoltaic (PV) effect. When sunlight hits the panels, it creates an electric current that is first used to power electrical systems in your home.

Solar Energy

Solar energy is radiant energy from the sun--a fully renewable energy resource. We use the solar resource to provide daylight, electricity, and heat in four ways (in order of prevalence): Solar PV is

...



Application scenarios of energy storage battery products

NY-Sun Solar Program

Ready to go solar? Learn about incentives, financing, and tips for installing solar at residential and commercial properties.



How do solar panels work? Solar power explained

In a nutshell, solar panels generate electricity when photons (those particles of sunlight we discussed before) hit solar cells. The process is called the photovoltaic effect.

INTEGRATED DESIGN
EASY TO TRANSPORT AND INSTALL,
FLEXIBLE DEPLOYMENT



Photovoltaics and electricity

PV panels can be connected in groups to form a PV array. A PV array can be composed of as few as two PV panels to hundreds of PV panels. The number of PV panels connected in a PV ...

Solar PV Energy Factsheet

Solar energy can be harnessed two primary ways: photovoltaics (PVs) are semiconductors that generate electricity directly from sunlight, while solar thermal technologies use sunlight to

heat water for ...

12.8V 200Ah



Understanding Solar Photovoltaic (PV) Power Generation

Grid-Connected PV Systems
 Off-Grid (Stand-Alone) PV Systems
 Solar Panels
 Solar Arrays Construction and Mounting
 PV Combiner Boxes
 PV Inverters
 PV Disconnects

An inverter is a device that receives DC power and converts it to AC power. PV inverters serve three basic functions: they convert DC power from the PV panels to AC power, they ensure that the AC frequency produced remains at 60 cycles per second, and they minimize voltage fluctuations. The most common PV inverters are micro-inverters, string inverter

See more on [eepower Center for Sustainable Systems](#)

Solar PV Energy Factsheet - Center for Sustainable ...

Solar energy can be harnessed two primary ways: photovoltaics (PVs) are semiconductors that generate electricity directly from sunlight, while solar ...

How Does Solar Work?

Solar technologies convert sunlight into electrical energy either through photovoltaic (PV) panels or through mirrors that concentrate solar radiation. This energy can be used to generate electricity or be ...



SOLAR , Division of Information Technology

Students use SOLAR to register for classes, print schedules, view and pay bills, update personal contact information, view transcripts, and submit student employment timesheets.

Contact Us

For catalog requests, pricing, or partnerships, please visit:
<https://kreatywny-dom.pl>

