

Solar power generation report in African countries



Overview

The Africa Market Outlook for Solar PV: 2026–2029 is the Global Solar Council's flagship annual analysis of solar and storage deployment across the African continent. Africa added approximately 4. Ten countries accounted for roughly 90% of all new capacity added during the year. Building on the latest market data, project tracking, import flows and forward-looking modelling, the report provides an up-to-date. AFSIA's annual Africa Solar Outlook report is the most complete review of the status of solar in Africa, country by country. Each country is presented through different angles: national solar and renewable energy objectives, current grid tariffs per customer segment, installed PV capacity per. The African Union wants to bring 300 gigawatts of renewables online by 2030, more than quadruple the 72 gigawatts of installed capacity tracked by BloombergNEF through the end of last year. The Global Solar Council projects.

Solar power generation report in African countries



Africa Power Transition Factbook 2024

This report, the Africa Power Transition Factbook 2024, produced by BloombergNEF and commissioned by Bloomberg Philanthropies, assesses the state of play of the renewable energy sector on the ...

Top 10 African Countries with the Largest Solar Energy Markets in 2025

The ranking draws on verified 2024-2025 data to show which nations are leading the charge and how solar energy is reshaping power generation and access across the continent.



Africa Market Outlook for Solar PV: 2026-2029

The Africa Market Outlook for Solar PV: 2026-2029 is the Global Solar Council's flagship annual analysis of solar and storage deployment across the African continent. Building on the latest market ...

Africa Installs 4.5 GW Of Solar in 2025 as Markets Diversify And ...

Africa's renewable energy transition is accelerating, supported by strong economic momentum, falling technology costs, and rising demand for reliable power. With economic growth ...

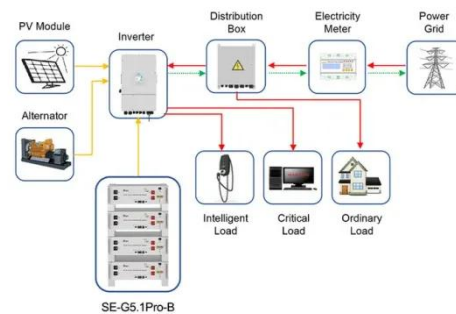


Africa Solar Outlook 2025 Launch

Next to highlighting the most notable projects and trends, the Africa Solar Outlook 2025 report also provides a unique overview of the status of solar in each African country.

Africa Records Fastest Solar Growth in 2025, Installations Surge 54%

The report reveals that Africa's solar deployment is expanding beyond a handful of early adopters, reflecting growing diversification and market resilience. In 2025, eight African countries ...



Application scenarios of energy storage battery products

South Africa, Nigeria Power Africa's Biggest-Ever Solar Expansion

The report noted that eight African countries installed more than 100 MW of solar capacity in 2025, doubling the

number recorded the previous year. Several other markets also came close to ...



Top ten African nations with the highest solar energy adoption in 2025

Africa's solar energy market continues to grow significantly. In 2025, the continent added more than 5,000 MW solar power capacity. In this article, we breakdown countries leading this drive.



Africa records fastest-ever solar growth in 2025

Installations of solar power in Africa jumped 54% in 2025, new data shows, marking the fastest annual growth on record, driven by governments and development agencies deploying utility ...

Contact Us

For catalog requests, pricing, or partnerships, please visit:

<https://kreatywny-dom.pl>

