

The most basic components of solar photovoltaic power generation are A



Overview

Solar panels, batteries, and inverters are the core elements that work together to capture, store, and convert solar energy into usable electricity for your home or business. Balance of system components typically include which of the following?

Most PV modules produced and installed today are what type of collector?

In addition to using a free, renewable fuel source, what are two key environmental benefits of PV systems?

Which of the following terms may be used to. Solar photovoltaic (PV) energy systems are made up of different components. Each component has a specific role. For example, a simple PV-direct system is composed of a solar module or array (two or more modules wired. Component Quality Drives Long-Term Value: While premium components like monocrystalline panels and MPPT charge controllers cost 10-15% more upfront, their superior efficiency (15-24% vs 13-17%) and longer lifespans (25-30 years) often provide better return on investment, especially in. Solar photovoltaic (PV) power generation is the process of converting energy from the sun into electricity using solar panels. PV systems can also be installed in grid-connected or off-grid (stand-alone) configurations. A solar photovoltaic (PV) cell, also called a solar cell, is the tiny powerhouse inside every solar panel. In today's lesson, we're going to make this really easy by breaking down these three key components of any solar power system: the solar panels, batteries, and the inverter.

The most basic components of solar photovoltaic power generation



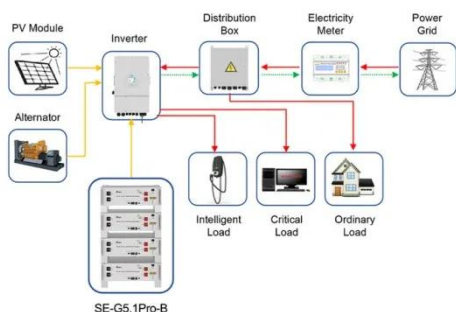
Complete Guide To PV System Components: Essential Solar Parts

...

Comprehensive guide to photovoltaic system components including solar panels, inverters, batteries, and mounting systems. Expert insights, costs, and selection tips.

Solar Photovoltaic (PV) System Components

Comprehensive guide to photovoltaic system components including solar panels, inverters, batteries, and mounting systems. Expert insights, costs, and selection tips.



Application scenarios of energy storage battery products

Solar Photovoltaic (PV) System Components

Solar energy systems can be simple or complex, depending on the needs of the solar user. The common component of all systems will be the solar module or solar array.

Basic Solar Components and How

They Work: Solar Panels

Understanding the basic components of a solar power system is one of the first steps you can take towards going solar. Solar panels, batteries, and inverters are the core elements that work together ...



What Are The Basic Components Of The Photovoltaic System?

At the core of every photovoltaic system are solar panels, the primary components responsible for converting sunlight into electricity. These panels, composed of interconnected solar ...

Basic components of solar power generation system

What are the components of a solar power system? The main solar components that come with every solar power system or solar panel kit are: Solar panels; Inverters; Racking (mounting system) ...



What are the main components of a solar power system?

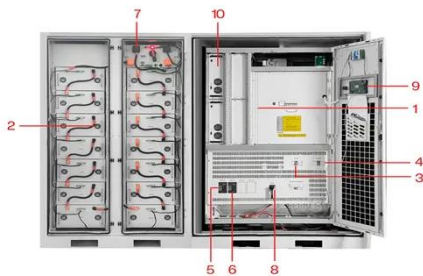
Solar panels, also known as photovoltaic panels, are the cornerstone of solar power systems. They consist of multiple

solar cells, which capture sunlight and convert it into usable electricity.



photovoltaic Flashcards , Quizlet

Photons striking a solar cell must have energies above a certain minimum energy level to create the photovoltaic effect. Higher energy photons are associated with which of the following?



- 1 PCS Module
- 2 Battery room
- 3 Grid side circuit breaker
- 4 Load side circuit breaker
- 5 OPV1 side circuit breaker
- 6 OPV2 side circuit breaker
- 7 High Volt Box
- 8 BAT side circuit breaker
- 9 LCD display screen
- 10 MPPT

Major Components of a Solar Power System

Our comprehensive guide examines the major elements that form a commercial solar power system, and helps you make informed decisions that align with your sustainability goals and ...

Understanding Solar Photovoltaic (PV) Power Generation

The basic components of these two configurations of PV systems include solar panels, combiner boxes, inverters, optimizers, and disconnects. Grid-

connected PV systems also may ...



Solar Photovoltaic Cell Basics: Components, Construction

Learn the basics of solar PV cells--their parts, construction, and performance--for smarter, efficient solar designs.

Contact Us

For catalog requests, pricing, or partnerships, please visit:
<https://kreatywny-dom.pl>

