

Venezuela Photovoltaic Folding Container Low-Pressure Type



Overview

What is a mobile solar PV container?

High-efficiency Mobile Solar PV Container with foldable solar panels, advanced lithium battery storage (100-500kWh) and smart energy management. Ideal for remote areas, emergency rescue and commercial applications. Fast deployment in all climates. Please feel free to call our customer service hotline or leave us a message online. Model Specifications Inverter power Photovoltaic. The Solarcontainer is a photovoltaic power plant that was specially developed as a mobile power generator with collapsible PV modules as a mobile solar system, a grid-independent solution represents. Solar panels lay flat on the ground. Where are solar power plants made?

Headquartered in Shanghai with 50,000+ production bases across Jiangsu, Zhejiang, and Guangzhou, the company.

Venezuela Photovoltaic Folding Container Low-Pressure Type



Venezuela mobile solar container outdoor power

High-efficiency Mobile Solar PV Container with foldable solar panels, advanced lithium battery storage (100-500kWh) and smart energy management. Ideal for remote areas, emergency rescue and ...

Venezuela new solar folding container wholesale

What is Huijue's folding solar PV container? Huijue Group newly launched a folding photovoltaic container, the latest containerized solar power product, with dozens of folding solar panels, aimed at ...

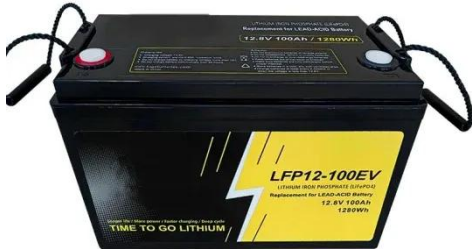


Venezuela industrial solar container system

Why should you choose a modular solar power container? Go big with our modular design for easy additional solar power capacity. Customize your container according to various configurations, power ...

Folding Photovoltaic Container

Convenient Deployment: The custom containers come with galvanized steel frames, N-type TOPCon solar cells, and other components already installed, allowing for immediate setup and use upon ...



Venezuela container energy storage

Summary: Venezuela is embracing lithium battery energy storage to stabilize its power grid and support renewable energy integration. This article explores the project's technical advantages,

Containerized Photovoltaic Power Plant-Folding Photovoltaic Container

While traditional stationary solar power systems are normally cumbersome to install and difficult to relocate, folding PV containers make use of innovative articulated panels and a hydraulic ...



Venezuela photovoltaic folding container liquid cooling equipment

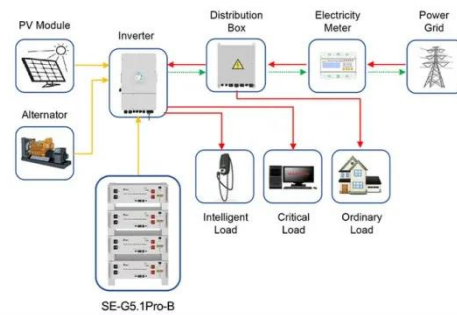
Folding solar containers replace traditional diesel generators with

sustainable green solar energy to reduce diesel use, lower emissions, and allow users to cut energy costs



Mobile Solar Container Systems , Foldable PV Panels , LZY Container

LZY Solar Containers use proprietary folding panel technology to maximize power generation while maintaining standard shipping dimensions. Our systems are faster to deploy, generate more power ...



Application scenarios of energy storage battery products



Folding photovoltaic containers: Flexible and mobile solar power ...

It's designed to be foldable, integrated for fast deployment anywhere. Just lay the track, pull it gently, and the solar panels will be deployed. Start working efficiently, keeping up continuous ...

Contact Us

For catalog requests, pricing, or partnerships, please visit:
<https://kreatywny-dom.pl>

