

KREATYWNY ENERGY POLSKA

What can solar inverters do



What can solar inverters do



A Guide to Solar Inverters: How They Work & How to Choose Them

Learn what a solar inverter is, how it works, how different types stack up, and how to choose which kind of inverter for your solar project.

Solar Inverters: Everything You Need To Know

Solar inverters are an essential part of a solar energy system. But what exactly do they do and does every solar system need one? In this simple guide for beginners, we look at the functions of a solar ...



What Does a Solar Inverter Do? Key Function Explained

A solar inverter converts DC (direct current) electricity generated by solar panels into AC (alternating current) electricity, making it usable in homes and businesses.



How Does A Solar Inverter Work?

Complete Guide + Real Testing Data

A solar inverter is the electronic heart of your solar power system--a sophisticated device that converts the direct current (DC) electricity generated by your solar panels into the alternating ...

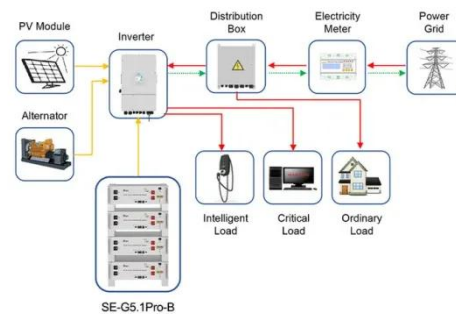


What Does a Solar Inverter Do?

The Basic Role of a Solar Inverter At its simplest, a solar inverter has one main job: Convert Electricity into a Usable Form Solar panels and batteries produce direct current (DC) ...

What Is A Solar Inverter, and How Does It Work?

A solar inverter is a device that converts the direct current (DC) electricity generated by solar panels into alternating current (AC) electricity, which is the type used by most home appliances ...



Application scenarios of energy storage battery products

Solar Integration: Inverters and Grid Services Basics

If you have a household solar system, your inverter probably performs several functions. In addition to converting your



solar energy into AC power, it can monitor the system and provide a portal for ...

What is a Solar Inverter? A 2025 Guide (Types & Cost)

The solar inverter is one of the most critical components of a solar energy system. The U.S. Department of Energy explains its main job: converting the Direct Current (DC) electricity from ...



What is a Solar Inverter? The Ultimate 2025 Guide (All Questions ...)

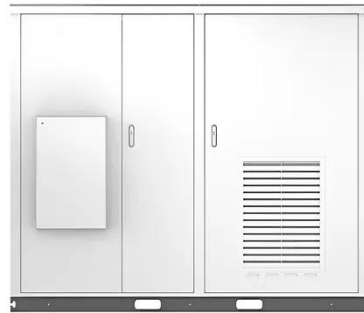
The solar inverter's primary job is to take the raw DC electricity from your solar panels and convert it into the stable, usable AC electricity that powers your life. Without an inverter, the energy ...

Solar 101: Understanding Solar Inverters, Types & Advanced Features

What Solar Inverters Do: Solar inverters are the "brain" of solar systems. They

convert DC electricity from solar panels into AC power for home and business use while providing monitoring, ...

Solar



Contact Us

For catalog requests, pricing, or partnerships, please visit:
<https://kreatywny-dom.pl>

