

KREATYWNY ENERGY POLSKA

Wholesale 80kWh Canadian Communication Power Cabinets



Wholesale 80kWh Canadian Communication Power Cabinets

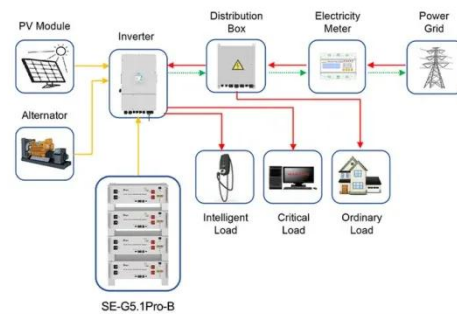


Racks and Cabinets

Alpine Power Systems engineers and builds customized battery cabinets and enclosures for critical power applications, for utility, telecom, CATV, data center and other applications.

COMMUNICATION+POWER+SUPPLY +CABINET+80KWH+CLEARANCE+PRICE ...

COMMUNICATION+POWER+SUPPLY+CABINET+80KWH+CLEARANCE+PRICE, request quote, price and delivery information, for this item, Sierra Ic Inc



Application scenarios of energy storage battery products



communication power supply cabinet 80kwh clearance price , etrailer

Find exactly what you're searching for in our extensive communication power supply cabinet 80kwh clearance price selection.

Gerrie , Gerrie Electric

Gerrie Electric is an Electrical, Automation and lighting solution distributor in Canada. Gerrie Electric supports Residential, Commercial, and Industrial markets / projects with lighting, wire and cable, ...



GSL Energy High-Voltage Battery Cabinet GSL-HV51200

Ideal for home, commercial, and utility backup power, this modern system combines high energy and power density with a long lifespan. Its modular design allows for easy installation and expansion, ...

Nedco , Electrical wholesale supplier

Nedco is one of the largest electrical wholesale suppliers providing a wide range of products for residential electricians and commercial contractors and large industrial organisations across Canada.



Base Station Energy Cabinet

The Base Station Energy Cabinet is a fully enclosed, weather-resistant telecom energy cabinet designed to provide reliable power distribution and battery

backup for outdoor communication networks.



NPS - Network Power Solutions

NPS offers the widest selection of turn key reserve power systems to the Canadian telecommunication industry. With five distribution points across the country, NPS is able to extend next day delivery to ...



Outdoor Communication Cabinets and Power Cabinets

These cabinets not only provide essential physical protection for various communication devices but also support continuous power supply through intelligent power management systems, laying a solid ...

Contact Us

For catalog requests, pricing, or partnerships, please visit:
<https://kreatywny-dom.pl>

